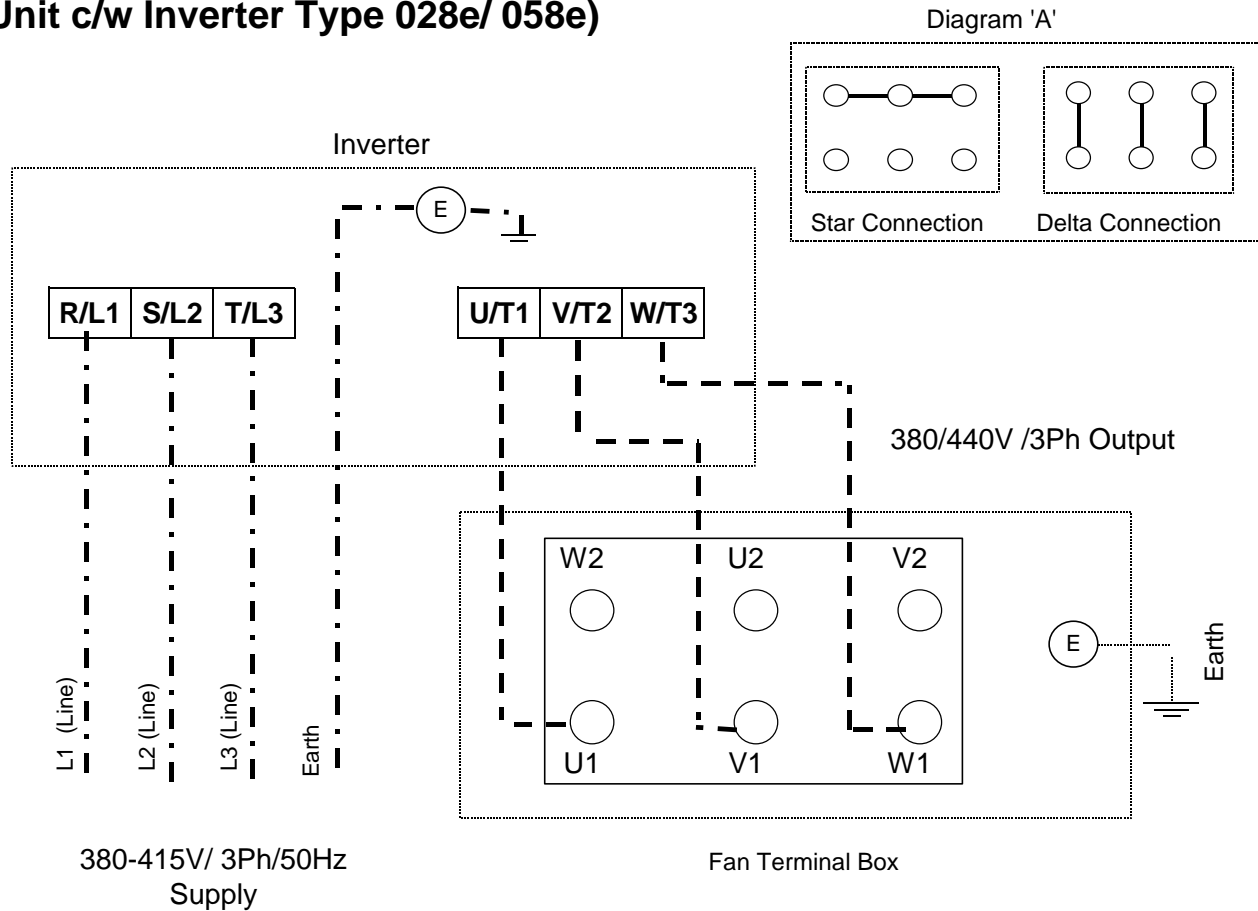


3Ph Inverter Electrical Information

3Ph In 3Ph Out Inverter Variable Speed Connection

(Unit c/w Inverter Type 028e/ 058e)



NOTE:

THE FOLLOWING PARAMETERS MUST BE SET PRIOR TO STARTING THE FAN:

- 1) MOTOR'S FULL LOAD CURRENT;
- 2) 'LSP' TO 20 HERTZ;
- 3) 'HSP' TO 50 HERTZ;

REFER TO INVERTER MANUFACTURERS MANUAL FOR FURTHER DETAILS.

WHEN USING AN INVERTER THE MOTORS MUST BE CONNECTED DOL REGARDLESS OF THE MOTOR WINDINGS' CONFIGURATION IN STAR OR DELTA (SEE DIAGRAM 'A') ALWAYS CONNECT TO U1,V1,W1. WITH THE APPROPRIATE LINK CONFIGURATION. REVERSE ROTATION OF FAN BY INTERCHANGING ANY TWO SUPPLY LEADS TO FANS.