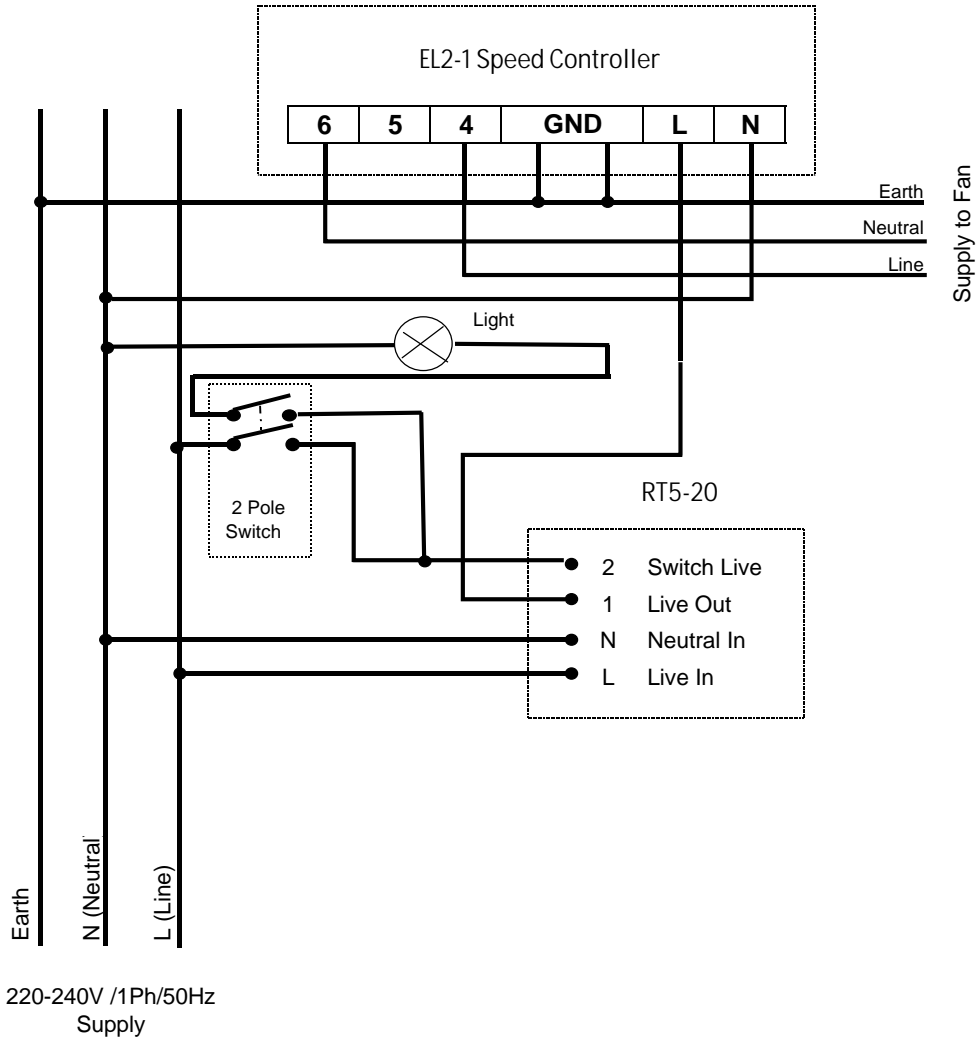


Select Electrical Information

Run on timer for 2 wire Variable Speed Fan Connection



NOTE: THE ABOVE WIRING DIAGRAM APPLIES TO **ELTA FANS** CONTROLLERS/TIMERS ONLY. FOR USE WITH ALTERNATIVE CONTROLLERS/TIMERS REFER TO MANUFACTURER'S WIRING DIAGRAM.