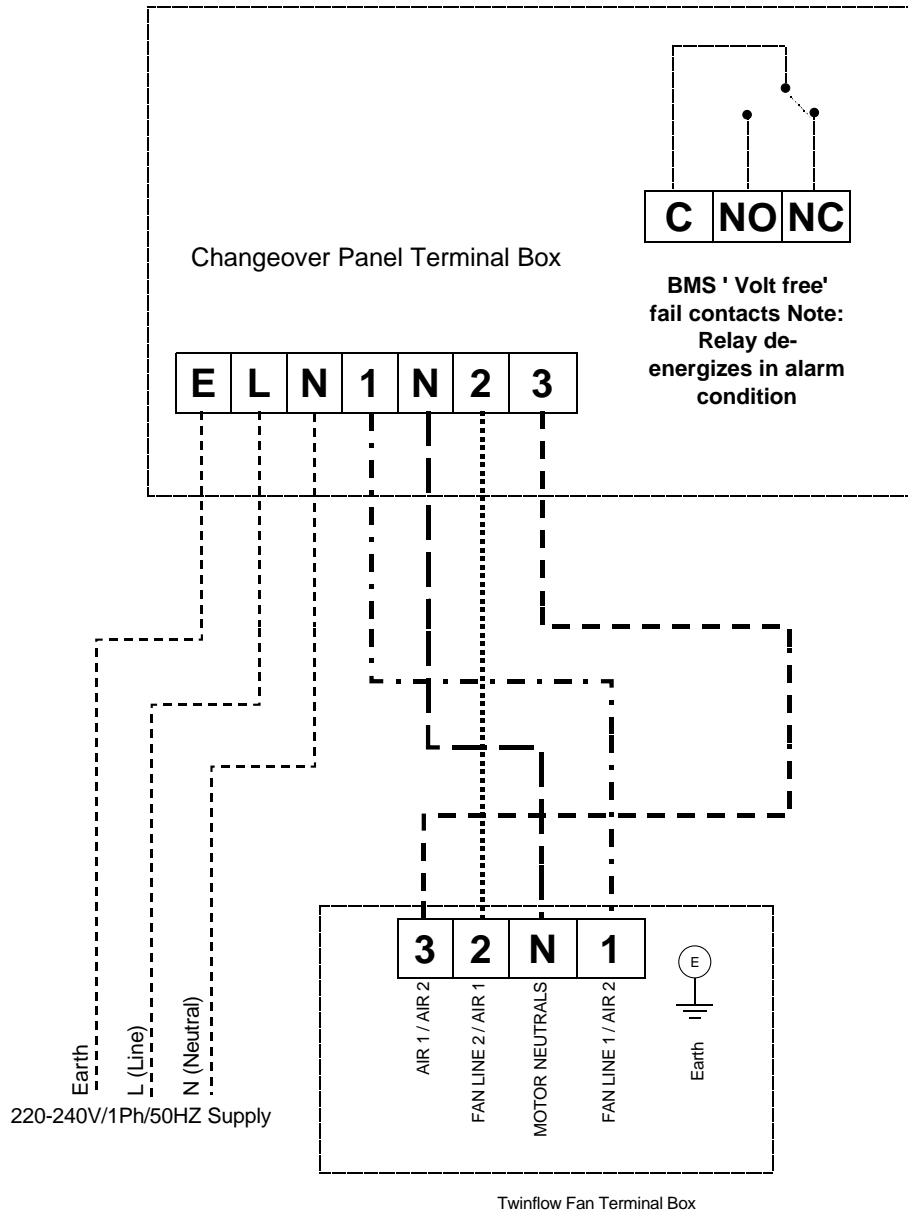


Twinflow 'STBR' Electrical Information

For Fixed Speed Connection c/w Volt free contact for B.M.S. System Auto-Changeover Panel

220-240V/1Ph/50Hz Supply



NOTE: THE ABOVE WIRING DIAGRAM APPLIES TO **ELTA FANS** CHANGE-OVER PANELS ONLY. FOR USE WITH ALTERNATIVE CHANGE-OVER PANELS REFER TO MANUFACTURER'S WIRING DIAGRAMS.