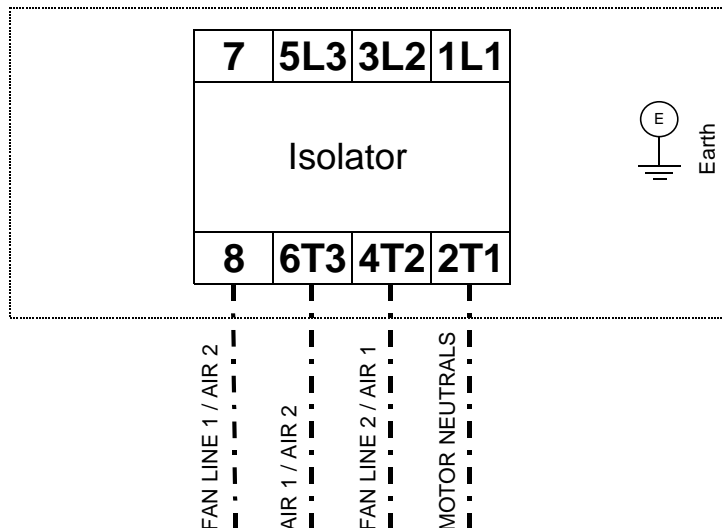


Twinflow 'STDR' 1Ph Electrical Information

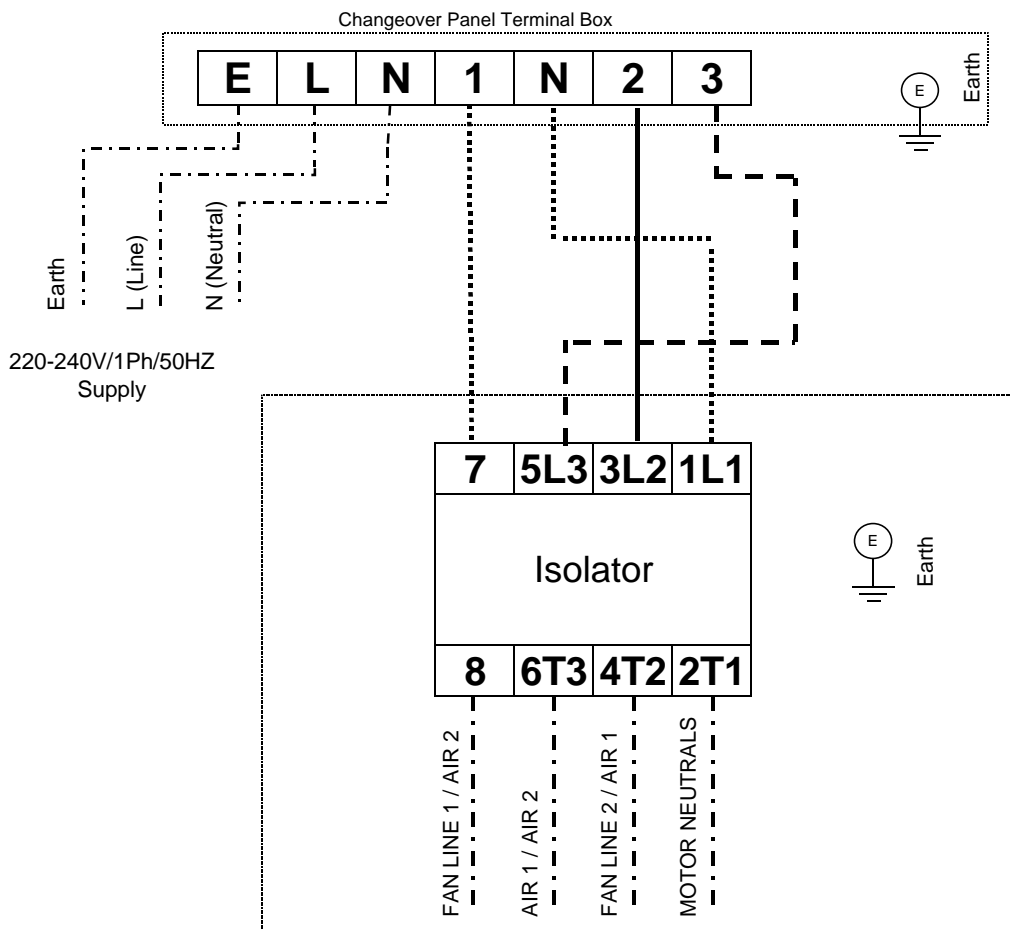
STDR isolator is fitted as standard; connection must be to the isolator terminals.

Connections within Roof Mounted 1Ph Direct Drive Fan

220-240V/1Ph/50HZ Supply



Fixed Speed Connection c/w Auto-Changeover Panel (Auto-Changeover Panel Type 149-IACO1/AIR; 149-IACO1/AIR/DS)



NOTE: THE ABOVE WIRING DIAGRAM APPLIES TO **ELTA FANS** CHANGE-OVER PANELS ONLY. FOR USE WITH ALTERNATIVE CHANGE-OVER PANELS REFER TO MANUFACTURER'S WIRING DIAGRAMS.