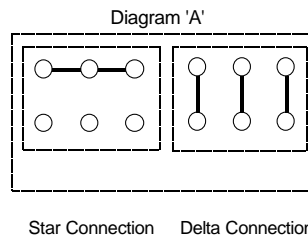
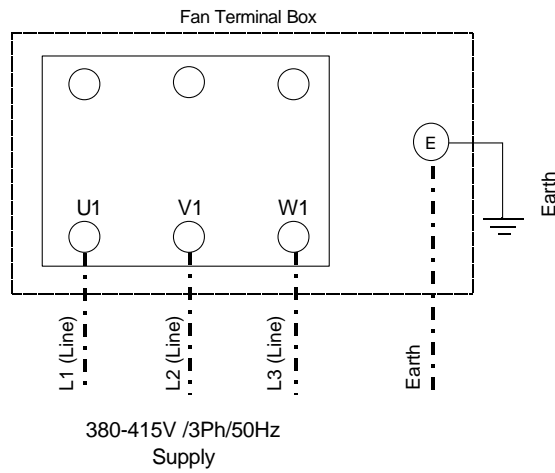
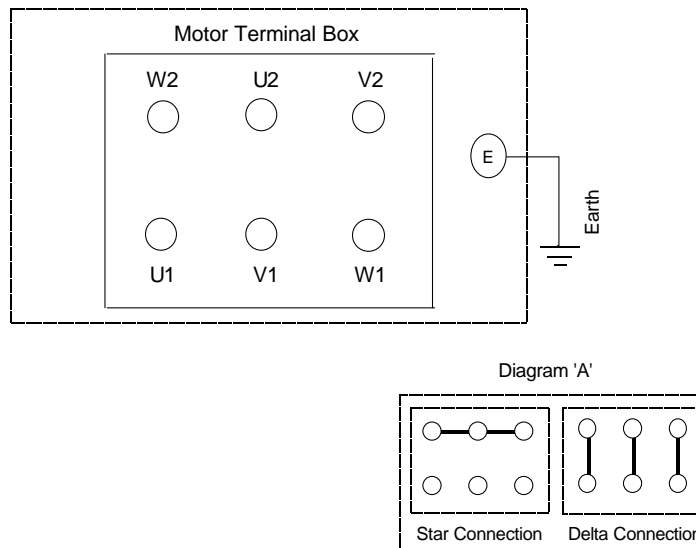


## Multiflow 'SMB/C' 3Ph Electrical Information

### Connections within 3Ph Fan - DOL Starting



### Connections within 3Ph Fan - Star/Delta Starting



**NOTE:** REGARDLESS OF THE MOTOR WINDINGS' CONFIGURATION IN STAR OR DELTA (SEE DIAGRAM 'A')  
 ALWAYS CONNECT TO U1,V1,W1. SUPPLY LEADS TO U1,V1 AND W1. REVERSE ROTATION OF F