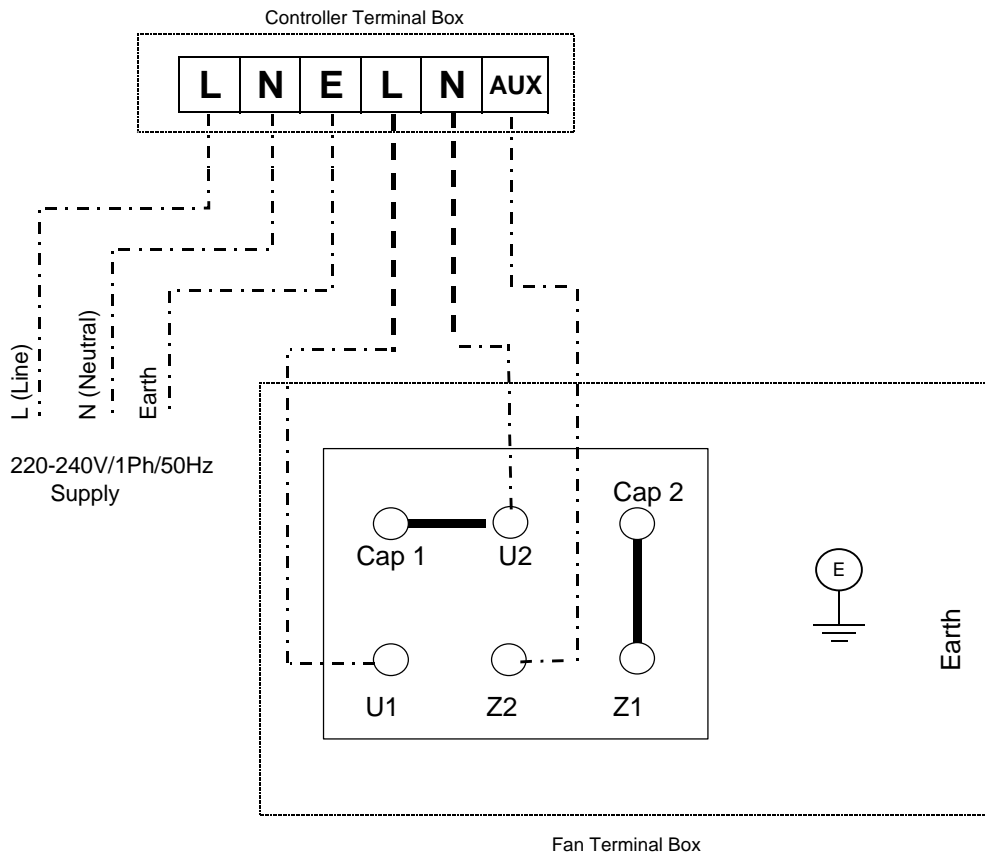


Multiflow 'SMB/C' 1PH Electrical Information

Manual Step Up Fan Speed Controlled

(Unit c/w Type 149-TC1 Transformer Controllers)**



Ensure link U1-Z2 is removed.

NOTE: THE ABOVE WIRING DIAGRAM APPLIES TO ELTA FANS CONTROLLERS ONLY. FOR USE WITH ALTERNATIVE CONTROLLERS REFER TO MANUFACTURER'S WIRING DIAGRAMS.