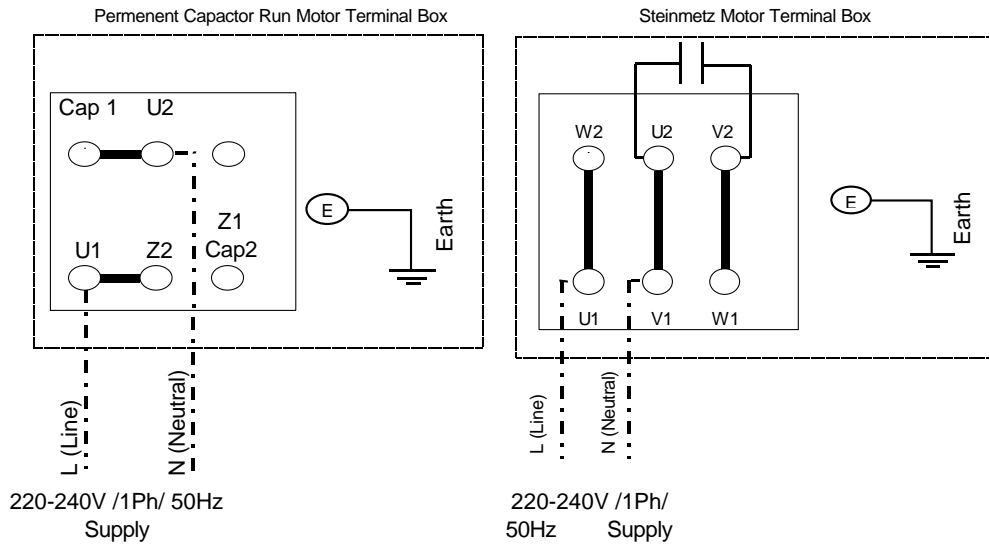


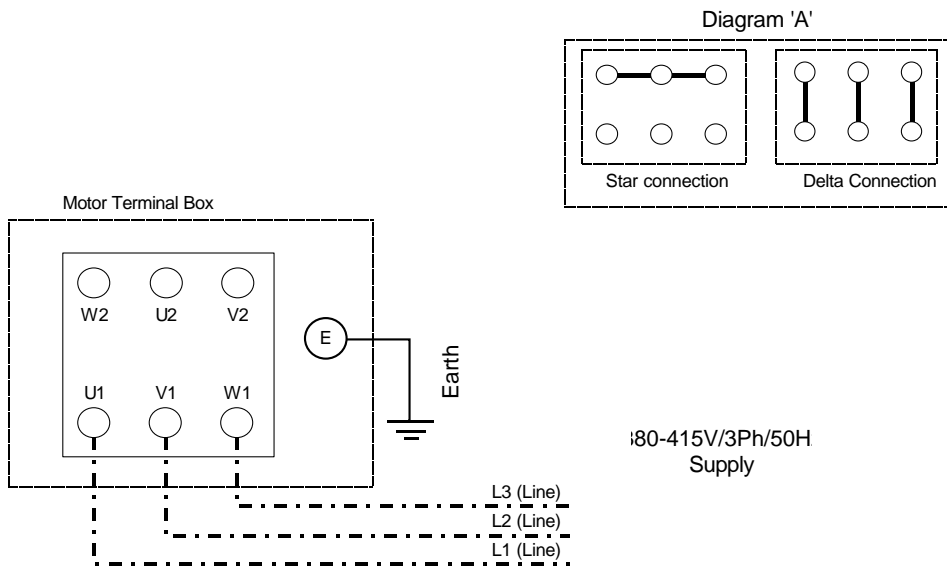
# Biflow 'SB' Electrical Information

## 1Ph Fixed Speed Connection

Single phase/speed Bi-flow fans are fitted with two different motors and care must be taken to connect up to the appropriate diagram. To ensure that you connect correctly refer to the identifications on the cables within the terminal box.



## 3Ph Fixed Speed Connection



Regardless of the motor windings in star or delta (See Diagram 'A') always connect to U1,V1,W1  
 Reverse rotation by interchanging any two supply motor leads.