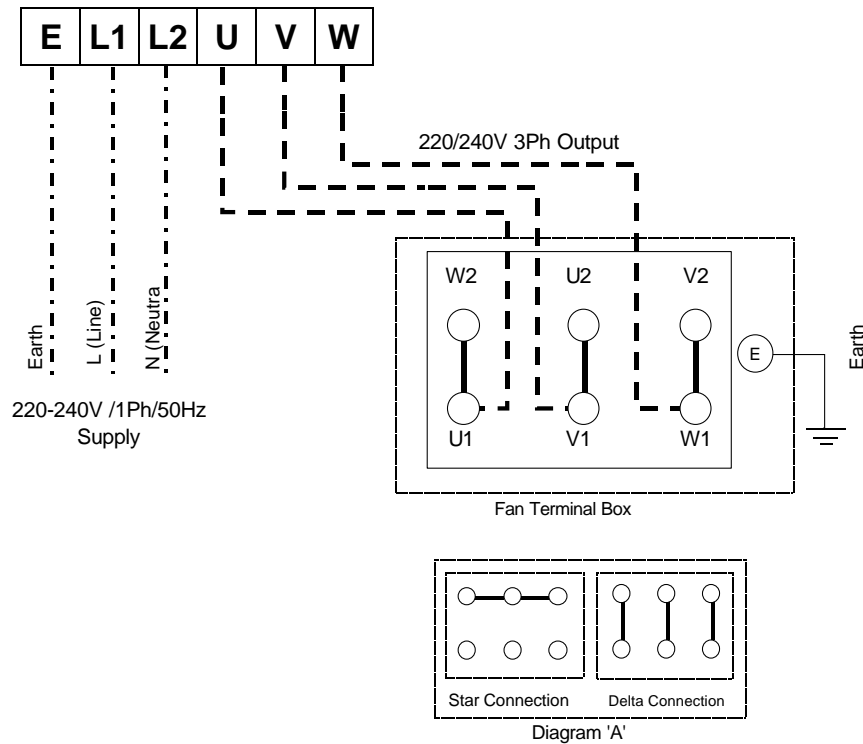


# Revolution 'SLC' 3Ph Electrical Information

## 1Ph in 3Ph Out Inverter Variable Speed Connection

(Unit c/w Inverter Type 08E/\*\*, 028E/ \*\*)



**Note:**

- 1) MOTOR FULL LOAD CURRENT;
  - 2) 'LSP' TO 20 HERTZ;
  - 3) 'HSP' TO 50 HERTZ;
  - 4) SET TO 'Loc' TO PREVENT UNAUTHORIZED ADJUSTMENT.
- REFER TO INVERTER MANUFACTURERS MANUAL PRIOR FOR FURTHER DETAILS:

WHEN USING A SINGLE PHASE IN 3 PHASE OUT INVERTER THE MOTOR MUST BE THE TERMINAL LINKS MUST BE RECONFIGURED TO DELTA (SEE DIAGRAM 'A') ALWAYS CONNECT TO U1,V1,W1. REVERSE ROTATION OF FAN BY INTERCHANGING ANY TWO SUPPLY LEADS TO FANS.