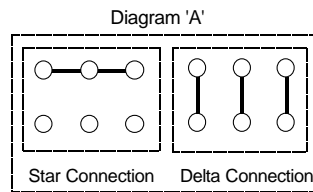
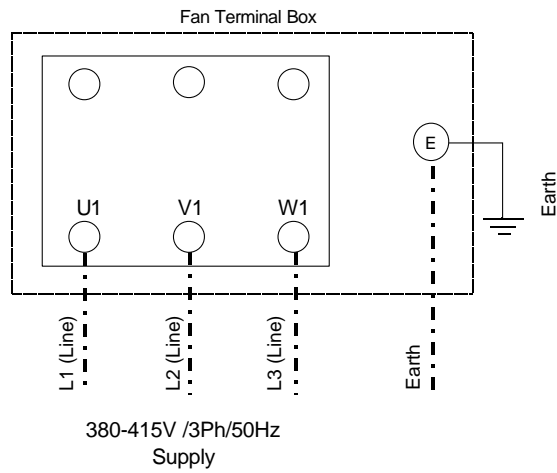
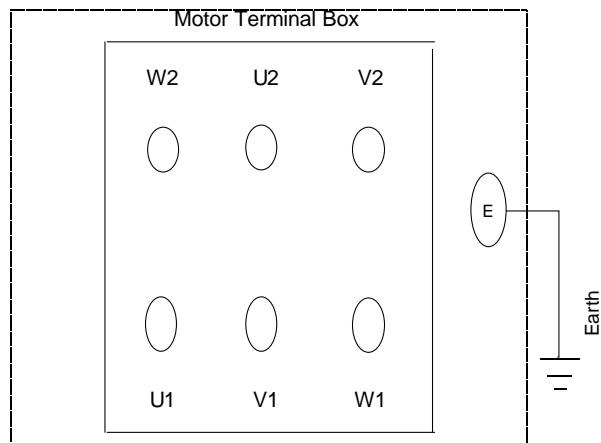


Revolution 'SLC' 3Ph Electrical Information

Connections within 3Ph Fan - DOL Starting



Connections within 3Ph Fan - Star/Delta Starting



REGARDLESS OF THE MOTOR WINDINGS' CONFIGURATION IN STAR OR DELTA (SEE DIAGRAM 'A') ALWAYS CONNECT TO U1,V1,W1. WITH THE APPROPRIATE LINK CONFIGURATION. REVERSE ROTATION OF FAN BY INTERCHANGING ANY TWO SUPPLY LEADS TO FANS.