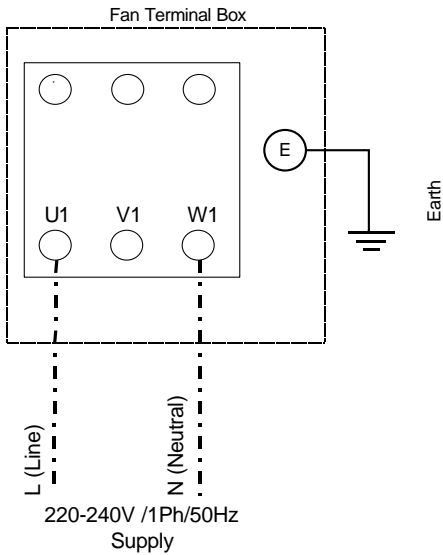


Revolution 'SLC' 1Ph Electrical Information

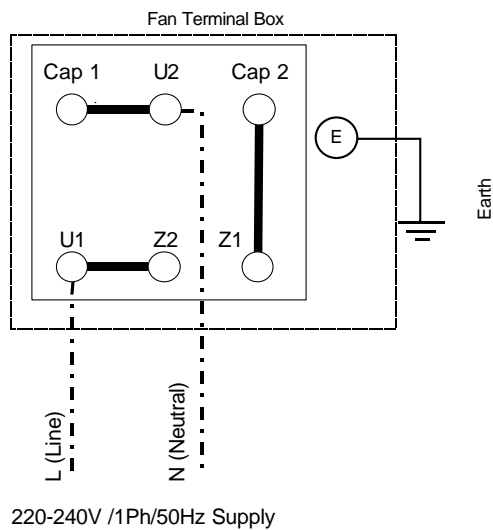
Fixed Speed Connection

(For single speed motor)



Fixed Speed Connection

(For variable speed motor)



NOTE: THE ABOVE WIRING DIAGRAM APPLIES TO **ELTA FANS** CONTROLLERS ONLY. FOR USE WITH ALTERNATIVE CONTROLLERS REFER TO MANUFACTURER'S WIRING DIAGRAM.