

MCD4 4-Way Multicone Diffusers

DESCRIPTION

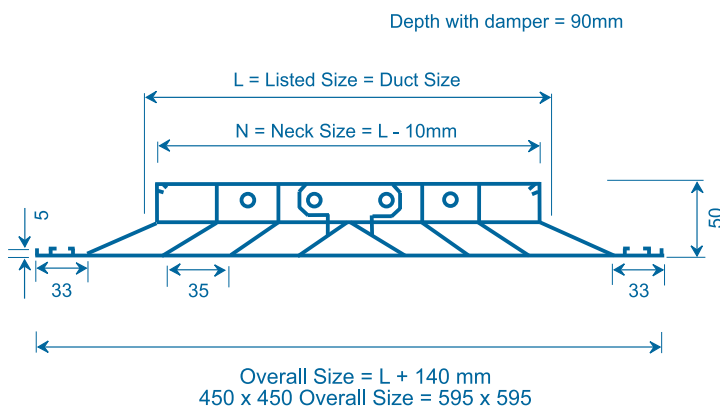
The *equal and approved* MCD Multicone Diffusers are constructed from pressed aluminium cores and frames giving a clean aesthetically pleasing appearance without any unsightly corner joints. They are available from stock in four way pattern finished RAL9010 Matt White and are fitted with a safety cord as standard.

APPLICATION

MCD multicone diffusers are primarily used in applications where the air is to be supplied from the ceiling. MCD diffusers offer good diffusion characteristics and therefore create a draft free comfortable environment in the occupied zone. Multicone diffusers may be used for extract if a uniform appearance is required.



Size WxH	Neck Velocity m/s	1.5	2.0	2.5	3.0	3.5
	Pressure Drop Pa	8	15	24	34	44
150x150	I/s	34	45	56	68	79
	Min-Max Throw m	1.1 - 2.1	1.3 - 2.2	1.6 - 2.4	1.7 - 2.9	2.0 - 3.1
	NC Level	/	/	15	20	24
225x225	I/s	76	101	127	152	177
	Min-Max Throw m	1.3 - 2.4	1.6 - 2.8	1.8 - 3.0	1.8 - 3.3	2.0 - 3.6
	NC Level	/	/	18	24	28
300x300	I/s	135	180	225	270	315
	Min-Max Throw m	1.5 - 2.6	1.8 - 3.2	2.0 - 3.8	2.2 - 4.0	2.4 - 4.2
	NC Level	/	20	25	29	32
375x375	I/s	211	281	352	422	492
	Min-Max Throw m	1.7 - 3.0	2.0 - 3.7	2.2 - 4.3	2.6 - 4.8	3.0 - 5.0
	NC Level	/	24	29	33	37
450x450 (595x595 over all)	I/s	304	405	506	608	709
	Min-Max Throw m	2.0 - 3.8	2.2 - 4.0	2.6 - 5.0	3.0 - 5.5	3.2 - 6.0
	NC Level	22	28	33	36	40



BASIS OF PERFORMANCE DATA

Ceiling Height : 2.7m

Min Throw = Throw to 0.5m/s velocity.

Max Throw = Throw to 0.25m/s velocity.

NC Level : Figures are based upon a room absorption of 8db with the OBD fully open.

OPTIONS/ACCESSORIES

Opposed blade dampers and plenum boxes are all available.

