

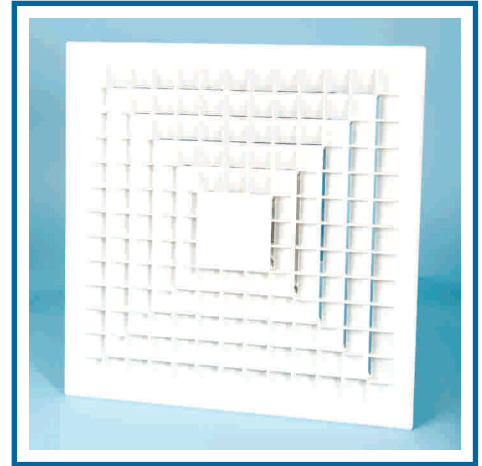
Aircell 2000 Series Diffusers

DESCRIPTION

The Waterloo Aircell 2000 Series range of ceiling diffusers are manufactured from injection moulded class O engineering polymer and are self coloured white. Aircell 2000 Series diffusers have a four way throw pattern. 1, 2 and 3 way patterns may be achieved using Aircell B Blanking Kits.

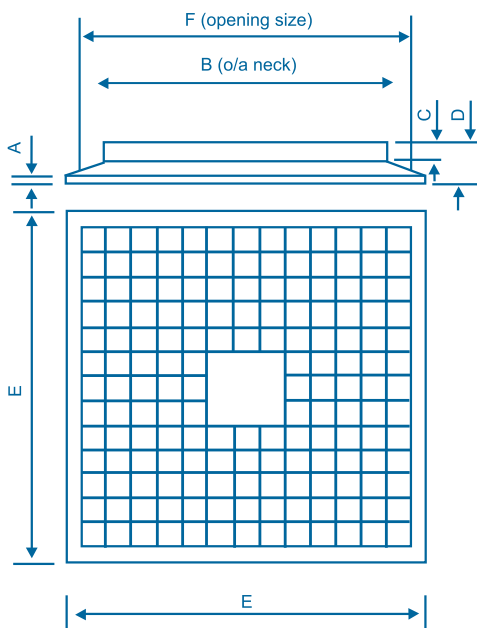
APPLICATION

Aircell 2000 Series diffusers have similar characteristics to standard multicone diffusers and may be applied in the same way. The contemporary design of the 2000 Series of diffuser aids their visual integration with luminaires and other ceiling elements. Aircell diffusers may be used in any air distribution system not exceeding 50°C.



Aircell 2000 Series - Supply Performance								
Aircell 2300	I/s	25	50	75	100	125	150	-
	Min Throw (m)	0.6	0.8	1.1	1.7	2.0	2.3	-
	Max Throw (m)	0.8	1.8	2.1	3.0	4.5	5.5	-
	Ps (Pa)	2	8	17	28	44	60	-
	NR	-	-	22	30	36	41	-
Aircell 2600	I/s	125	150	200	250	300	350	400
	Min Throw (m)	0.3	0.5	0.9	1.4	1.8	2.2	2.5
	Max Throw (m)	2.0	2.4	3.0	3.9	4.5	5	5.5
	Ps (Pa)	4	6	10	15	22	30	40
	NR	-	-	20	26	31	35	38

Aircell M Series - Extract Performance								
Aircell 2300	I/s	25	50	75	100	125	150	-
	Ps (Pa)	4	15	30	50	75	100	-
	NR	-	19	29	35	40	45	-
Aircell 2600	I/s	125	150	200	250	300	350	400
	Ps (Pa)	-	6	12	20	29	41	54
	NR	-	-	-	20	27	32	37



Model	A	B	C	D	E	F
2300	3	229	41	53	296	269
2600	6	460	31	56	596	546

BASIS OF PERFORMANCE DATA

Ceiling Height: 2.7 m

Min Throw = Throw to 0.5m/s velocity.

Max Throw = Throw to 0.25m/s velocity.

NC Level: Figures are based upon a room absorption of 8db with the OBD fully open.

OPTIONS/ACCESSORIES

Opposed blade dampers, plenum boxes and blanking plates are available.

