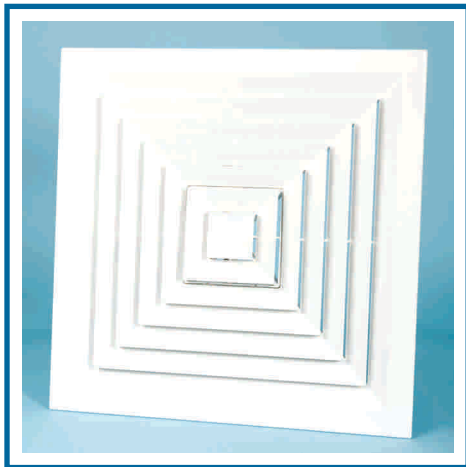


# Aircell M Series Diffusers



## DESCRIPTION

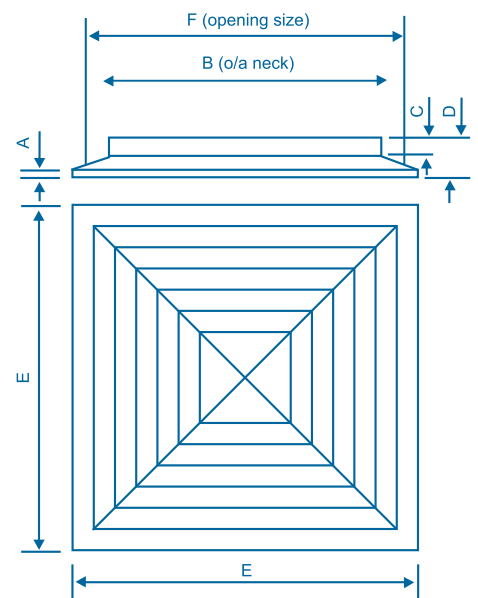
The Waterloo Aircell M Series range of Multicone diffusers are manufactured from injection moulded class O engineering polymer and are self coloured white. Aircell M Series diffusers have a four way throw pattern. 1, 2, and 3 way patterns may be achieved using Aircell BM Blanking Kits.

## APPLICATION

Aircell M Series diffusers have the same air flow characteristics as standard aluminium diffusers and therefore can be used in similar applications. The Aircell range is also useful in aggressive environments such as swimming pool applications due to its resistance to corrosion. Aircell diffusers may be used in any air distribution system not exceeding 50°C.

Aircell M Series - Supply Performance						
Aircell M300	I/s	34	45	56	68	79
	Min Rad (m)	1	1	1.5	1.5	2
	Max Rad (m)	1.5	2	2.5	3	3.5
	Ps(Pa)	9	15	23	33	43
	NR	-	-	-	-	21
Aircell M450	I/s	135	180	225	270	315
	Min Rad (m)	1.5	2	2	2.5	3
	Max Rad (m)	2.5	3.5	4.5	5	6
	Ps(Pa)	9	15	23	33	43
	NR	-	23	28	33	36
Aircell M600	I/s	304	405	506	608	709
	Min Rad (m)	2	2.5	3.5	4	4.5
	Max Rad (m)	4	5	6.5	8	9
	Ps(Pa)	9	15	23	33	43
	NR	25	32	37	40	44

Aircell M Series - Extract Performance						
Aircell M300	I/s	34	45	56	68	79
	Ps(Pa)	10	17	25	36	47
	NR	-	-	-	21	24
Aircell M450	I/s	135	180	225	270	315
	Ps(Pa)	10	17	25	36	47
	NR	21	26	31	36	39
Aircell M600	I/s	304	405	506	608	709
	Ps(Pa)	10	17	25	36	47
	NR	28	35	40	43	47



## BASIS OF PERFORMANCE DATA

Ceiling Height: 2.7 m  
 Min Throw= Throw to 0.5m/s velocity.  
 Max Throw= Throw to 0.25m/s velocity.  
 NC Level: Figures are based upon a room absorption of 8db with the OBD fully open.

## OPTIONS/ACCESSORIES

Opposed blade dampers, plenum boxes and blanking plates are available

Model	A	B	C	D	E	F
300	6	230	36	56	296	235
450	6	307	36	56	446	375
500	6	307	36	56	496	375
600	6	456	36	56	598	525
625	6	456	36	56	621	525

