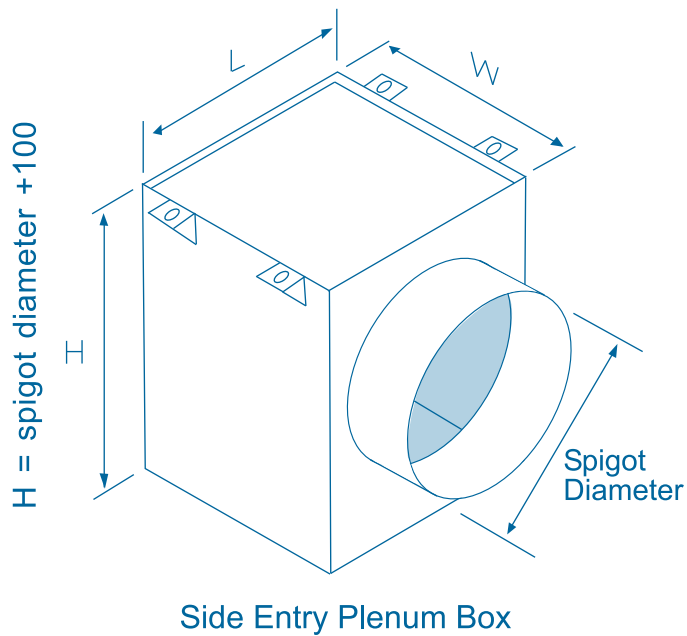
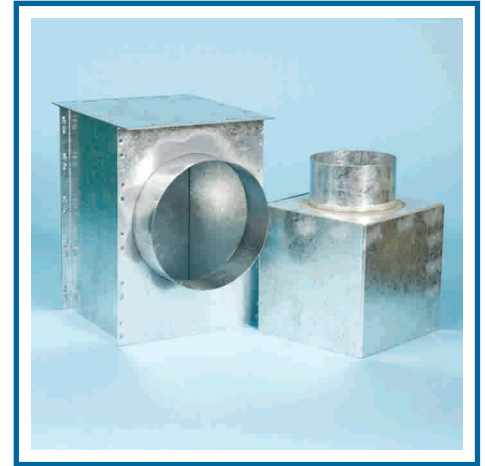


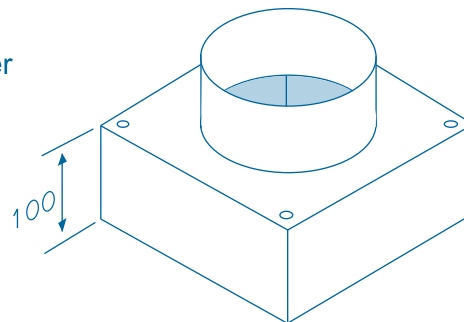
PB Plenum Boxes

DESCRIPTION

Equal and Approved Plenum Boxes are constructed from plated steel with spot welded and primed seam joints. Plenums are available in either top entry (TE) or side entry (SE) to suit grilles (PB.G) and diffusers (PB.D).



Side Entry Plenum Box



Top Entry Neck Reducer