

DVK Air Valves

DESCRIPTION

The DVK range of air valves are manufactured from white polypropylene (RAL9010). The polypropylene material will resist deformation up to temperatures of 100 Degrees C. Air flow adjustment is achieved by rotating the central core inwards or outwards on it's spindle, a locking nut arrangement is provided to set the desired position.

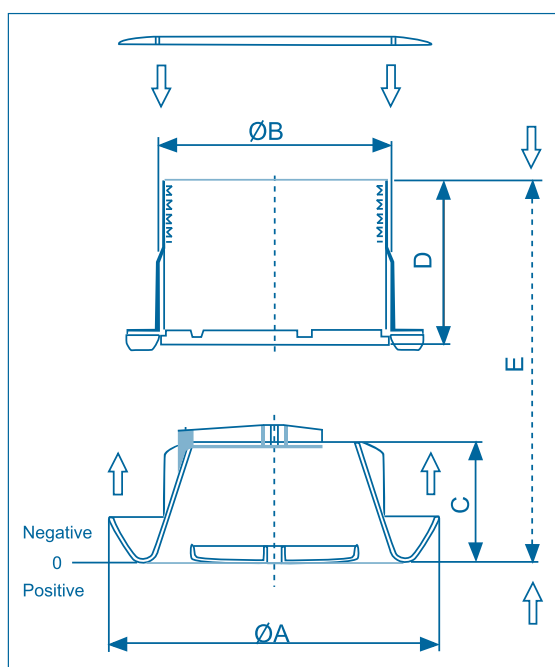
The DVK air valve is supplied complete with a duct collar and locking ring.

APPLICATION

DVK polypropylene air valves provide a clean, attractive and cost effective way of extracting stale air from toilets, bathrooms, cleaners cupboards etc. Air valves are best used in air distribution systems handling relatively small air volumes. The unique design of the DVK air valve allows it to be used for both supply and extract applications.



Size	Volume (l/s)	10	20	30	40	50	60	80	100	120
100	Ps (Pa)	7	35	68	87	140	-	-	-	-
	dBA	\	20	32	36	42	-	-	-	-
125	Ps (Pa)	9	27	66	85	120	160	-	-	-
	dBA	\	24	31	35	41	45	-	-	-
150	Ps (Pa)	-	15	36	67	95	110	190	-	-
	dBA	-	\	24	28	34	35	44	-	-
200	Ps (Pa)	-	5	20	40	70	78	97	180	-
	dBA	-	\	\	30	34	36	39	50	-



Dimensions in mm

DVK	A	B	C	D	E
100	141	99.5	52	70.5	84.5
125	167	124.5	52.5	70.5	84.5
150/160	202	149.5/159.5	52.5	70.5	84.5
200	240.3	199.5	52.0	70.5	84.5

