

K33G/FD Fire Rated Ventilators



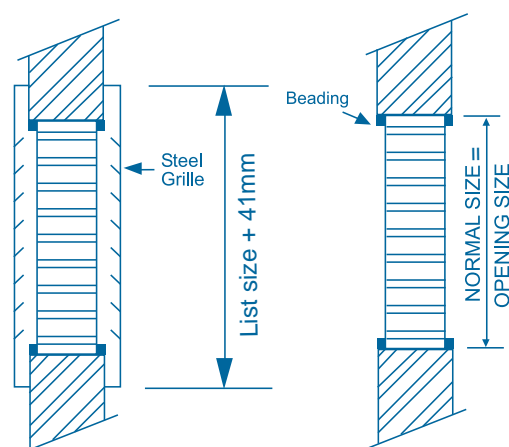
DESCRIPTION

The K33G/FD Fire Rated Ventilator consists of a slatted intumescent fire damper and two mild steel pressed cover grilles. Under normal circumstances air passes freely through the ventilator allowing cross ventilation between adjacent spaces. In the event of fire the intumescent slats expand to many times their original size, fusing together to form a non-combustible fire resistant mass which also prevents the passage of hot smoke and gases. The K33G pressed steel cover grilles are supplied in a satin silver finish as standard, other colours are available.

APPLICATION

The *equal and approved* fire rated ventilators are designed for fitting into fire rated doors or partitions. The K33G/FD has a one hour fire rating.

Volume (l/s)	Size (WxH)	203 x 203	305 x 203	305 x 305	406 x 406	457 x 305	457 x 457
25		3	-	-	-	-	-
	\	-	-	-	-	-	-
50		10	4	-	-	-	-
	25	\	-	-	-	-	-
75		20	10	4	-	-	-
	35	28	\	-	-	-	-
100		35	15	8	3	3	-
	40	33	28	\	\	-	-
125		-	24	12	4	5	3
	-	-	38	33	\	28	\
150		-	-	18	5	7	4
	-	-	-	37	28	32	\
175		-	-	-	8	10	5
	-	-	-	-	32	34	28
200		-	-	-	9	12	7
	-	-	-	-	35	38	32
225		-	-	-	12	15	8
	-	-	-	-	38	40	34
250		-	-	-	15	-	8
	-	-	-	-	40	-	35
300		-	-	-	-	-	15
	-	-	-	-	-	-	40



AVAILABLE SIZES

The sizes detailed in the table above are for our standard range however other sizes are available.

OPTIONS/ACCESSORIES

Fire blocks to give longer fire ratings are available, equal and approved can also provide surface mounted aluminium non vision cover grilles.