

Model	A	B	C	E	F	G	Max Wt. kg.
SMC315	315	375	400	8	10	355	28
SMC400	400	475	460	8	12	450	35
SMC450	450	530	450	8	12	500	32
SMC500	500	585	500	12	12	560	37
SMC560	560	645	550	12	12	620	53
SMC630	630	715	600	12	12	690	61
SMC710	710	795	650	16	12	770	69
SMC800	800	885	710	16	12	860	97
SMC1000	1000	1110	790	16	15	1070	175

SPECIFICATION

General

The Multiflow cylindrical cased mixed flow fan SMC shall be from the Select range of Elta Fans Ltd. The all metal casing shall provide a long lasting, robust construction. All casing parts shall be heavy gauge mild steel, roll formed and welded then hot dipped galvanised to BS729 after fabrication. Motor supports shall be of steel sheet construction, hot dipped galvanised to BS729 after manufacture and shall have an aerodynamic profile.

Impeller Assemblies

Adjustable pitch mixed flow impellers shall be provided with the blade angles set to meet the required duty. The impeller construction shall comprise of aluminium spinnings and pressings as natural finish, together with steel hub assemblies. Impellers are dynamically balanced to grade G6.3.

Motors

Motors are to be foot mounted type to IP55 with sealed for life bearings, standard industrial paint finish and Class F insulation to EN60034-5, suitable for operating temperatures of up to +50°C. Motors are centrally located on their respective platforms and sized to meet the required duty. All motors are pre-wired to an integral weatherproof IP55 terminal enclosure in the casing wall.

Quality Management

Units are to be designed and manufactured with procedures as defined in BS EN ISO 9001:2000. EEC directives shall be met.

All SMC units are to be tested to ISO 5801:1997 (airside performance) and BS 848 Part 2:1995 (sound performance).

ACCESSORIES

- ◆ Speed Controllers
 - ◆ Flexible Connectors
 - ◆ Wire Guards (recommended)
 - ◆ Mounting Feet
 - ◆ Silencers
 - ◆ Anti-Vibration Mounts
 - ◆ Duct Spacer Units*
 - ◆ Matching Flanges
 - ◆ Non-Return Dampers*
- * can be supplied to order

CYLINDRICAL CASED MIXED FLOW FANS - SMC

multiflow



SINGLE PHASE - FIXED OR VARIABLE SPEED 220V-240V / 1PH / 50HZ

Product Code	Speed rpm	Airflow m³/sec @ Static Pressure Pa.										Motor Electrical Data			A.V. Mounts	Speed Controllers		Sound Level dBA @ 3m	Silencer Data							
		0	50	100	150	200	250	300	400	500	600	FL Amps	SC Amps	Output kW		Elec-ronic	Trans-former		dBA Attenuation		ΔP (Pa)		dBA Attenuation		ΔP (Pa)	
		1DENP	1DEP	1DEP	2DENP	2DEP	2DEP																			
SMC315/4-5-2	1300	0.32	0.24	0.08								1.09	2.30	0.12	S1G	EL13	TC12	41	-9	-12	2	-15	-19	3		
SMC315/2-5-2	2750	0.68	0.65	0.63	0.58	0.54	0.46	0.38	0.20	0.12		2.55	7.00	0.37	S1G	EL13	TC14	56	-8	-13	8	-15	-19	13		
SMC400/4-5-2	1300	0.76	0.67	0.54	0.25	0.09						1.51	3.69	0.18	S1G	EL13	TC12	55	-8	-12	4	-15	-18	6		
SMC400/2-3-2	2750	1.28	1.24	1.20	1.17	1.11	1.07	1.03	0.93			6.15	22.7	1.0	S1G	-----	TC112	67	-10	-14	19	-16	-21	29		
SMC450/4-5-2	1350	1.21	1.12	1.00	0.80	0.44	0.18					2.56	5.93	0.37	S1G	EL13	TC14	52	-9	-13	7	-15	-19	11		
SMC500/4-5-2	1350	1.61	1.50	1.40	1.26	1.02	0.56	0.32				3.70	11.9	0.55	S1G	EL16	TC18	59	-9	-14	9	-16	-21	14		
SMC560/4-5-2	1350	2.42	2.35	2.22	2.07	1.87	1.63	1.10	0.23			6.28	16.4	1.0	S2B	-----	TC110	61	-9	-13	13	-16	-19	20		
SMC630/4-5-2	1350	3.30	3.20	3.08	2.90	2.75	2.55	2.32	1.40	0.40		10.1	25.9	1.5	S2B	-----	TC112	68	-11	-16	16	-16	-25	24		

THREE PHASE - FIXED SPEED 380V-415V / 3PH / 50HZ †

Product Code	Speed rpm	Airflow m³/sec @ Static Pressure Pa.										Motor Electrical Data			A.V. Mounts	Speed Controllers			Sound Level dBA @ 3m	Silencer Data							
		0	50	100	150	200	250	300	400	500	600	FL Amps	SC Amps	Output kW		Inverter		Trans-former		dBA Attenuation		ΔP (Pa)		dBA Attenuation		ΔP (Pa)	
		1Ph-3Ph†	3Ph-3Ph	1DENP	1DEP	1DEP	2DENP	2DEP	2DEP																		
SMC560/6-5-3	920	1.67	1.49	1.26	0.54							1.27	4.70	0.37	S2B	08E/37	28E/75	TC33	57	-10	-13	7	-16	-19	11		
SMC560/4-5-3	1410	2.58	2.44	2.33	2.20	2.04	1.84	1.50	0.30			2.90	15.4	1.1	S2B	28/150-1	28E/150	TC33	60	-9	-13	16	-16	-20	25		
SMC630/6-5-3	920	2.28	2.10	1.87	1.58	0.74						1.77	6.60	0.55	S2B	08E/75	28E/75	TC33	58	-10	-15	8	-15	-23	13		
SMC630/4-4-3	1420	3.15	3.08	2.95	2.83	2.69	2.53	2.36	1.90	0.82		3.70	20.4	1.5	S2B	28/150-1	28E/150	-----	68	-11	-17	15	-16	-25	24		
SMC710/6-5-3	920	3.24	3.00	2.70	2.39	1.97	0.88					2.12	8.70	0.75	S2B	08E/75	28E/75	TC35	58	-11	-14	10	-16	-22	15		
SMC710/4-5-3	1415	4.90	4.73	4.60	4.43	4.27	4.09	3.88	3.42	2.65		6.78	47.5	3.0	S2B	-----	28E/300	-----	68	-10	-16	25	-15	-24	38		
SMC800/8-5-3	700	3.40	3.15	2.80	2.20	1.11						2.33	10.7	0.75	S2B	08E/75	28E/150	-----	58	-10	-14	7	-15	-22	11		
SMC800/6-5-3	940	4.44	4.27	4.06	3.79	3.43	2.93	2.22	0.62			4.30	22.3	1.5	S2B	28/220-1	28E/220	-----	64	-12	-16	10	-17	-23	16		
SMC1000/8-5-3	710	6.99	6.73	6.43	6.07	5.63	5.00	3.77				5.31	32.9	2.2	S2G	-----	28E/300	-----	61	-10	-14	14	-14	-20	22		
SMC1000/6-5-3	940	8.00	7.80	7.58	7.35	7.10	6.82	6.51	5.73	4.54	2.03	8.95	47.5	4.0	S2G	-----	28E/400	-----	67	-10	-15	16	-15	-21	25		

Sound levels are average spherical free field values (for comparative use only). Value at 50% peak pressure.

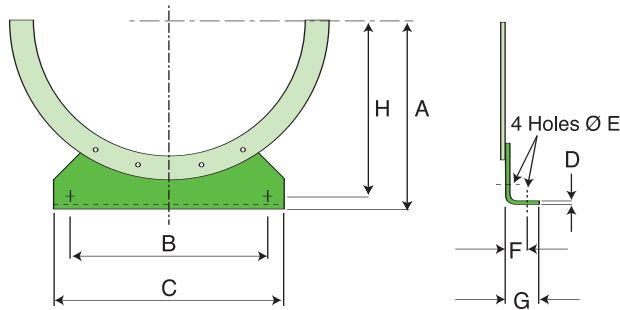
† Models shown as speed controllable using a 240V/1Ph input - 240V/3Ph output inverter.

All models with motor power up to 3kW may also be operated at 220V-240V/3Ph/50Hz.

30 Performance & Electrical Data

Products detailed within this data sheet represent the stocked range of Elta Cylindrical Cased Mixed Flow fans. Many more options, selections and sizes are available on a made to order basis.

MOUNTING FEET



Fan Dia.	A	B	C	D	E	F	G	H	Wt. kg.
315	200	265	315	3	9	23.0	40	180	1.0
400	250	350	400	4	9	27.5	50	230	1.5
450	280	400	450	4	11	27.5	50	255	2.0
500	315	450	500	4	11	27.5	50	290	2.5
560	355	510	560	5	11	32	60	330	4.0
630	400	580	630	5	11	32	60	375	5.0
710	450	660	710	5	11	32	60	425	5.5
800	500	750	800	5	11	32	60	475	6.0
1000	630	950	1000	6	13	36	70	595	12.0

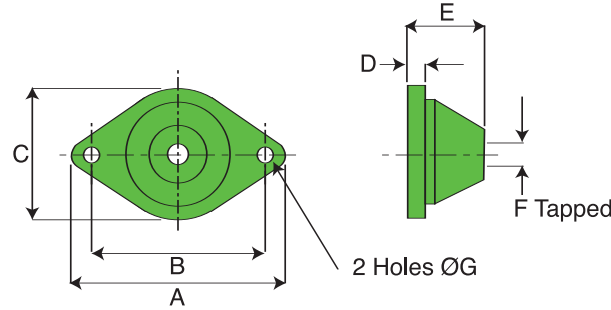
For free standing support. Mounts directly to casing flange. Supplied in pairs, less fixings.

Material & finish

Steel, hot dipped galvanised.

Note: For product codes please refer to price list

ANTI-VIBRATION MOUNTS



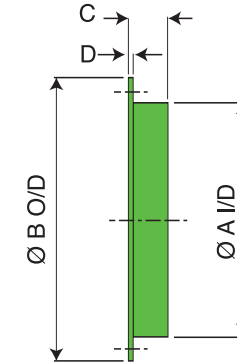
Fan Dia.	Type	A	B	C	D	E	F	G
315	S1G	64	50	43	5.5	20	M6	7
400	S2B	80	57	45	5.0	32	M8	12_9
450								
500								
560	S2	80	57	45	5.0	32	M8	12_9
630								
710								
800	S2G							
1000	S2Y							

Fits directly to mounting feet to help minimise noise and vibration. Supplied in sets of 4, complete with fixings to mounting feet.

Material & finish

Rubber with steel insert.

MATCHING FLANGES



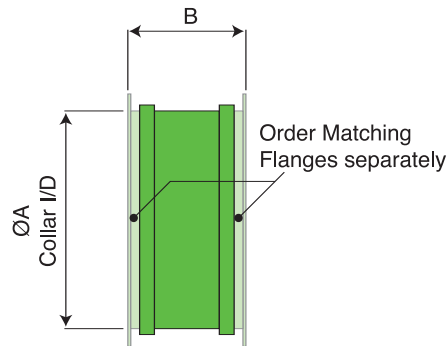
Fan Dia. A	B	C	D	Weight kg.
315	375	30	1.5	0.7
400	475	40	1.5	1.1
450	530	40	1.5	2.2
500	585	45	2.0	2.6
560	645	45	2.0	3.0
630	715	45	2.0	3.4
710	795	45	2.0	3.7
800	900	50	2.0	5.0
1000	1100	50	2.0	6.5

Fits directly to fan casing mounting flange to provide a coupling for a Flexible Collar, or an alternative fixing for any other matched interconnection e.g. customer's ducting. Supplied individually less fixings.

Material & finish

Mild Steel, hot dipped galvanised.

FLEXIBLE COLLAR & CLIPS



Fan Dia. A	B	Weight kg.
315	150	2.0
400	150	2.5
450	150	3.0
500	150	5.0
560	150	5.5
630	200	6.0
710	200	6.5
800	200	10.5
1000	250	13.5

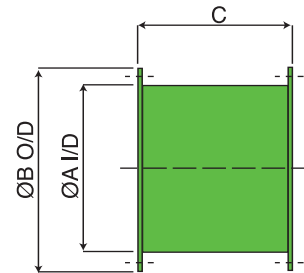
Fits directly to Matching Flanges so as to provide a flexible interconnection with any matched interface e.g. ducting. Supplied individually, complete with fixings.

Material & finish

PVC coated polyester, plated steel banding.
- **Alternative materials available to order.**

Note: For product codes please refer to price list

DUCT SPACER UNITS



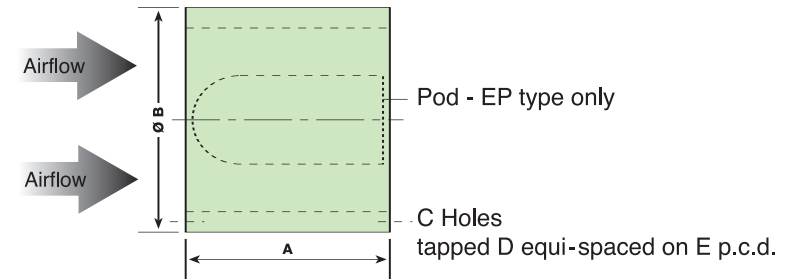
Fan Dia. A	B	C	Weight kg.
315	375	400	7.4
400	475	460	14.9
450	530	450	18.4
500	585	500	22.2
560	645	550	27.0
630	715	600	32.7
710	795	650	39.5
800	885	710	64.4
1000	1100	790	109.4

Recommended when mounting a podded (EP) silencer on the inlet side of an SMC fan so as to ensure correct air intake/flow pattern into the fan to meet specified performance rating.

Material & finish

Mild steel, hot dipped galvanised.

SILENCERS



Fan Dia.	A 1D	A 2D	B	C	D	E	Weight kg.			
							1DENP	1DEP	2DENP	2DEP
315	315	630	415	8	M8	355	9	11	15	17
400	400	800	500	8	M10	450	13	16	22	26
450	450	900	602	8	M10	500	15	18	27	31
500	500	1000	653	12	M10	560	18	22	32	37
560	560	1120	713	12	M10	620	22	26	39	46
630	630	1260	785	12	M10	690	26	32	48	57
710	710	1420	864	16	M10	770	32	39	59	71
800	800	1600	955	16	M10	860	40	49	74	90
1000	1000	2000	1207	16	M12	1070	66	82	124	151

Four variants of silencers are available. 1DENP and 2DENP are a straight through design whilst 1DEP and 2DEP contain a cylindrical centrebody for enhanced attenuation. This latter type incurs an airside pressure drop. Silencers are supplied less fixings.

Material & finish

Pre galvanised steel sheet casing and perforated lining. High density mineral wool in-fill with glass tissue facing. These silencers are not suited to saturated conditions - Refer to Elta.

Products detailed within this data sheet represent the stocked range of Elta Cylindrical Cased Mixed Flow fans. Many more options, selections and sizes are available on a made to order basis.