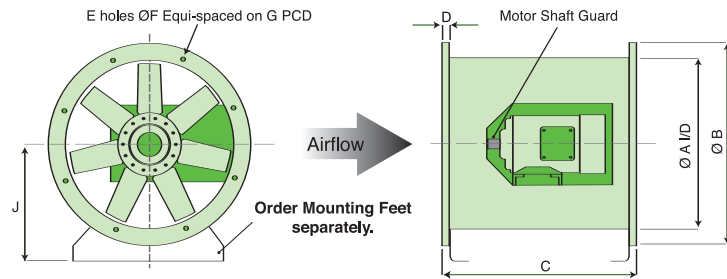
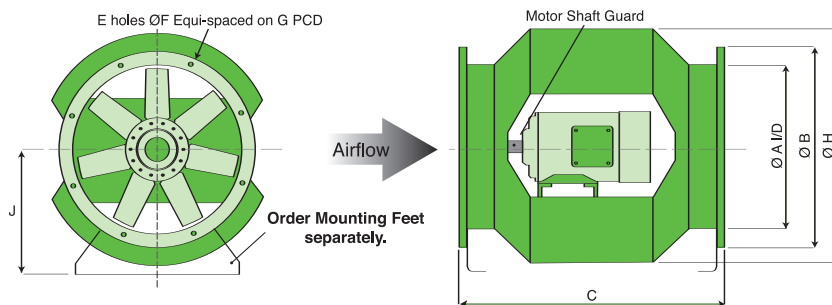


Cylindrical Range (CYL)



Conical Range (CON)



Model	A	B	C	E	F	G	H	I	Wt. kg.
SB250-CON4-1	250	325	460	8	10	299	400	220	23
SB250-CON4-3	250	325	460	8	10	299	400	220	23
SB250-CON2-3	250	325	460	8	10	299	400	220	23
SB315-CON4-1	315	380	500	8	10	355	460	250	30
SB315-CON4-3	315	380	500	8	10	355	460	250	30
SB315-CON2-3	315	380	500	8	10	355	460	250	31
SB400-CON2-3	400	485	650	8	12	450	570	305	49
SB400-CYL4-3	400	475	450	8	12	450	N/A	250	29
SB500-CON2-3	500	585	710	12	12	560	700	370	86
SB500-CYL4-3	500	585	450	12	12	560	N/A	315	47
SB630-CYL4-3	630	715	570	12	12	690	N/A	400	78

SPECIFICATION

General

The Biflow bifurcated axial fan SB shall be from the Select range of Elta Fans Ltd and shall be suitable for air temperatures of up to +200°C. The all metal casing shall provide a long lasting and robust construction. All parts shall be suitably treated to ensure full corrosion protection and shall be spun or welded sheet steel, hot dipped galvanised after fabrication to BS729. In conical models the motor is to be located in a tunnel which traverses the fan casing whilst for cylindrical models there is to be a single entry tunnel into the casing.

Impeller Assemblies

Adjustable pitch aerofoil impellers shall be provided with blades made from high quality pressure die cast aluminium (LM6). Hubs shall be pressure die cast aluminium alloy (LM24). Assembled impellers are to be dynamically balanced to grade G6.3.

Motors

Motors shall be IP54 protected, industry proven, metric frame, foot mounted as standard with sealed for life ball bearings.

Quality Management

All units are to be designed and manufactured with procedures as defined in BS EN ISO 9001:2000. EEC directives shall be met.

All SB units are to be tested to ISO 5801:1997 (airside performance) and BS 848 pt 2:1985 (sound performance).

ACCESSORIES

- ◆ Mounting Feet
 - ◆ Flexible Connectors
 - ◆ Non-Return Dampers*
 - ◆ Anti-Vibration Mounts
 - ◆ Silencers
 - ◆ Wire Guards*
 - ◆ Matching Flanges
 - ◆ Bell Mouth Inlet*
- * can be supplied to order

SINGLE PHASE - FIXED SPEED 220V-240V / 1PH / 50HZ

Product Code	Speed rpm	Airflow m ³ /sec @ Static Pressure Pa.												Motor Electrical Data			A.V. Mounts	dBA @ 3m	Silencer Data					
		0	25	50	75	100	150	200	250	300	400	500	600	FL Amps	SC Amps	Output kW			dBA Attenuation		ΔP (Pa)	dBA Attenuation		ΔP (Pa)
																			1DENP	1DEP	1DEP	2DENP	2DEP	2DEP
SB250-CON4-1	1450	0.28	0.22	0.15	0.03									1.13	3.73	0.12	S1G	48	-9	-11	11	-14	-16	16
SB315-CON4-1	1370	0.52	0.48	0.43	0.38	0.23								1.13	3.73	0.12	S2B	51	-8	-11	8	-13	-15	12

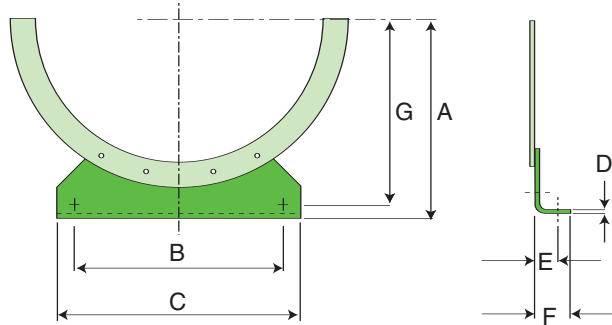
THREE PHASE - FIXED SPEED 380V-415V / 3PH / 50HZ

Product Code	Speed rpm	Airflow m ³ /sec @ Static Pressure Pa.												Motor Electrical Data			A.V. Mounts	dBA @ 3m	Silencer Data					
		0	25	50	75	100	150	200	250	300	400	500	600	FL Amps	SC Amps	Output kW			dBA Attenuation		ΔP (Pa)	dBA Attenuation		ΔP (Pa)
																			1DENP	1DEP	1DEP	2DENP	2DEP	2DEP
SB250-CON4-3	1370	0.27	0.21	0.14	0.04									0.48	2.40	0.12	S1G	48	-8	-11	8	-14	-16	16
SB250-CON2-3	2780	0.57	0.53	0.50	0.47	0.44	0.36	0.28	0.20					0.68	3.06	0.25	S1G	61	-9	-12	25	-15	-15	40
SB315-CON4-3	1370	0.52	0.48	0.43	0.37	0.25								0.48	2.40	0.12	S2B	51	-8	-11	8	-13	-15	12
SB315-CON2-3	2800	0.93	0.92	0.91	0.90	0.88	0.84	0.80	0.76	0.71	0.55			1.18	6.14	0.55	S2B	64	-9	-14	28	-16	-15	44
SB400-CYL4-3	1400	1.01	0.96	0.89	0.82	0.70								0.69	3.80	0.25	S2B	55	-9	-13	14	-13	-15	22
SB400-CON2-3	2840	2.08	2.07	2.05	2.02	2.00	1.96	1.92	1.86	1.82	1.70	1.53		4.56	27.4	2.2	S2G	70	-9	-11	64	-14	-15	103
SB500-CYL4-3	1415	2.30	2.23	2.14	2.04	1.92	1.52							1.67	10.9	0.75	S2G	62	-9	-11	26	-14	-15	42
SB500-CON2-3	2900	3.80	3.78	3.76	3.73	3.71	3.66	3.60	3.54	3.46	3.30	3.15	2.90	7.55	57.4	4.0	S2	80	-9	-16	81	-14	-19	130
SB630-CYL4-3	1410	4.50	4.38	4.27	4.16	4.04	3.76	3.44						4.54	30.9	2.2	S2	70	-9	-14	39	-13	-21	63

All 3Ph electrical data stated at 400V
Starting currents are quoted as direct-on-line.

Sound levels are average spherical free field values (for comparative use only). Value at 50% peak pressure.

MOUNTING FEET



Fan Code	A	B	C	D	E	F	G	Wt. kg.
SB250-CON	220	206	256	3	23	40	-	1.0
SB315-CON	250	265	315	3	23	40	-	1.5
SB400-CON	305	350	400	4	27.5	50	-	2.0
SB500-CON	370	450	500	4	27	50	-	3.0
SB400-CYL	250	350	400	4	27.5	50	230	1.5
SB500-CYL	315	450	500	4	27	50	290	2.5
SB630-CYL	400	580	630	5	32	60	375	5.0

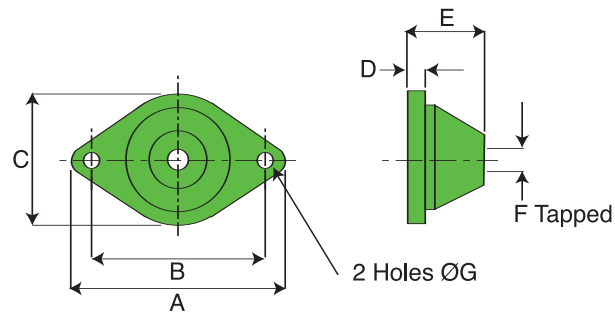
For free standing support. Mounts directly to casing flange. Supplied individually, less fixings.

Material & finish

Steel, hot dipped galvanised.

Note: For product codes please refer to price list

ANTI-VIBRATION MOUNTS



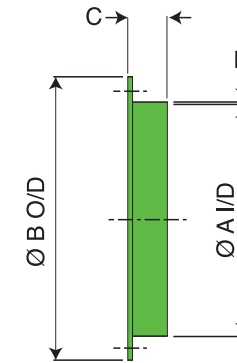
Type	A	B	C	D	E	F	G
S1G	64	50	43	5.5	20	M6	7
S2	80	57	45	5.0	32	M8	12_9
S2B							
S2G							

Fits directly to mounting feet to help minimise noise and vibration. Supplied in sets of 4, complete with fixings to mounting feet.

Material & finish

Rubber with steel insert.

MATCHING FLANGES



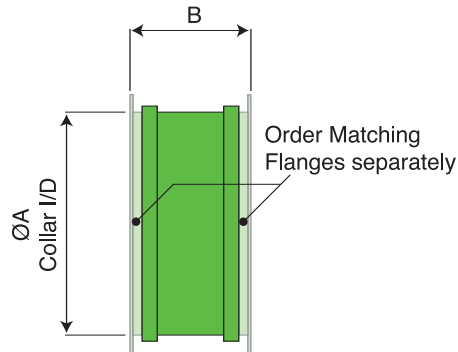
Fan Dia. A	B	C	D	Weight kg.
250	324	30	1.5	0.5
315	375	30	1.5	0.7
400	475	40	1.5	1.1
500	585	45	2.0	2.6
630	715	45	2.0	3.4

Fits directly to fan casing mounting flange to provide a coupling for a Flexible Collar, or an alternative fixing for any other matched interconnection. Supplied individually less fixings.

Material & finish

Steel, hot dipped galvanised.

FLEXIBLE COLLAR & CLIPS



Fan Dia. A	B	Wt. kg.
250	150	1.5
315	150	2.0
400	150	3.0
500	150	5.0
630	200	9.0

Fits directly between matching flanges so as to provide a flexible interconnection with any matched interface e.g. ducting. Supplied individually, complete with fixing bands.

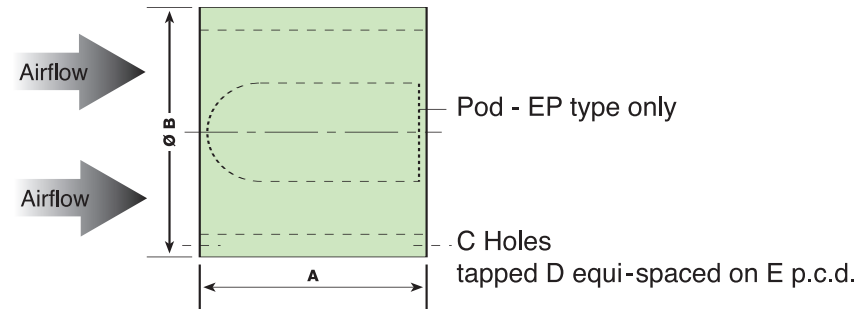
Material & finish

Silicone coated, fully cured, flame retardant, glassfibre material, plated steel banding.

- **Alternative materials available to order**

Note: For product codes please refer to price list

SILENCERS



Fan Dia.	A 1D	A 2D	B	C	D	E	Weight kg.			
							1DENP	1DEP	2DENP	2DEP
250	250	500	350	8	M8	299	7	9	11	13
315	315	630	415	8	M8	355	9	11	15	17
400	400	800	500	8	M10	450	13	16	22	26
500	500	1000	602	12	M10	560	18	22	32	37
560	560	1120	713	12	M10	620	22	26	39	46
630	630	1260	785	12	M10	690	26	32	48	57

Four variants of attenuators are available. 1DENP & 2DENP are a straight through design whilst 1DEP & 2DEP contain a cylindrical centrebody for enhanced attenuation. This latter type incurs an airside pressure drop. Silencers are supplied less fixings.

Material & finish

Pre-galvanised steel sheet casing and perforated lining. High density mineral wool in-fill with glass tissue facing. These silencers are not suited to saturated conditions - Refer to Elta.