

Model	A	B	C	E	F	G	K	Max Weight Kg.	
								1Ph	3Ph
SLC315	315	375	300	8	10	355	20	17	17
SLC350	350	425	375	8	10	395	20	21	26
SLC400	400	475	400	8	12	450	20	27	31
SLC450	450	530	375	8	12	500	20	30	30
SLC450/2-3B	450	530	450	8	12	500	25	-	45
SLC500	500	585	400	12	12	560	20	33	33
SLC500/2-3	500	585	450	12	12	560	25	-	52
SLC560	560	645	400	12	12	620	20	40	40
SLC560/2-3	560	645	570	12	12	620	25	-	96
SLC630	630	715	400	12	12	690	20	50	47
SLC630/4-3B	630	715	450	12	12	690	20	-	58
SLC710	710	795	450	16	12	770	20	-	70
SLC710/4-3B	1000	1110	790	16	15	1070	25	-	72
SLC800	800	885	450	16	12	860	25	-	75
SLC800/4-3B	800	885	570	16	12	860	25	-	97
SLC900/8-3	900	1000	450	16	15	970	25	-	107
SLC900/6-3A	900	1000	450	16	15	970	25	-	107
SLC900/6-3B	900	1000	570	16	15	970	25	-	127
SLC900/4-3A	900	1000	570	16	15	970	25	-	135
SLC900/4-3B	900	1000	710	16	15	970	32	-	183
SLC1000	1000	1110	590	16	15	1070	25	-	143
SLC1000/4-3B	1000	1110	790	16	15	1070	32	-	222
SLC1000/4-3C	1000	1110	790	16	15	1070	32	-	239

SPECIFICATION

General

The Revolution cased axial fan SLC shall be from the Select range of Elta Fans Ltd. The all metal fan casing shall provide a long lasting robust construction. All parts shall be heavy gauge mild steel sheet roll formed and welded, then hot dipped galvanised to BS729 after fabrication. Each unit shall have an impeller inspection hole for rotation inspection.

Impeller Assemblies

Adjustable pitch aerofoil impellers shall be provided with blades made from high quality pressure die cast aluminium (LM6), natural finish. These shall be factory set at an angle to provide maximum performance. Hubs shall be made from die cast aluminium alloy (LM24). Assembled impellers are to be dynamically balanced to grade G6.3.

Motors

Motors are to be foot mounted totally enclosed metric type to IP55, with sealed for life bearings, standard industrial paint finish and Class F insulation to EN 60034-5, suitable for operating temperatures of up to +54°C. Motors are to be wired via a weatherproofed cable to an IP55 protected terminal box mounted on the outside of the unit casing.

Quality Management

Units are to be designed and manufactured with procedures as defined in BS EN ISO 9001:2000. EEC directives shall be met.

All SLC units are to be tested to ISO 5801:1997 (airside performance) and BS 848 pt 2:1985 (sound performance).

Short cased versions of these fans are available to order.

ACCESSORIES

- ◆ Speed Controllers
 - ◆ Flexible Connectors
 - ◆ Wire Guards
 - ◆ Mounting Feet
 - ◆ Silencers
 - ◆ Anti-Vibration Mounts
 - ◆ Bell Mouth Inlets*
 - ◆ Matching Flanges
 - ◆ Non-Return Dampers*
- * can be supplied to order

SINGLE PHASE - FIXED SPEED (SUFFIX-1) AND VARIABLE SPEED (SUFFIX-2) 220V-240V / 1PH / 50HZ

Product Code	Speed rpm	Airflow m ³ /sec @ Static Pressure Pa.										Motor Electrical Data			A.V. Mounts	Speed Cont'r		dBA @ 3m	Silencer Data						Availability
		0	50	100	150	200	250	300	400	500	600	FL Amps	SC Amps	Output kW		Elec-tronic	Trans-former		dBA Attenuation		ΔP (Pa)	dBA Attenuation		ΔP (Pa)	
		1DENP	1DEP	1DEP	2DENP	2DEP	2DEP																		
SLC315/4-2	1300	0.63	0.55	0.38								1.09	2.30	0.12	S1G	EL13	TC12	45	-8	-11	11	-13	-15	18	○
SLC315/2-1	2750	1.26	1.20	1.13	1.06	0.98	0.87	0.71				3.20	9.77	0.55	S1G	-----	-----	54	-9	-12	41	-14	-15	66	○
SLC350/4-2	1300	0.85	0.76	0.63								1.51	3.69	0.18	S1G	EL13	TC12	48	-9	-12	17	-14	-16	27	○
SLC350/2-1	2820	1.42	1.39	1.36	1.32	1.30	1.26	1.22	1.13	1.01		6.30	20.0	1.1	S1G	-----	-----	64	-9	-11	52	-14	-15	82	○
SLC400/4-2	1350	1.44	1.32	1.15								2.56	5.93	0.37	S1G	EL13	TC14	52	-9	-12	24	-14	-16	38	○
SLC400/2-1	2780	2.07	2.03	1.98	1.92	1.88	1.84	1.79	1.68	1.53	1.26	8.10	30.1	1.5	S2B	-----	-----	66	-9	-13	47	-15	-17	76	○
SLC450/4-2A	1350	1.68	1.56	1.40	1.12							2.56	5.93	0.37	S2B	EL13	TC14	55	-9	-12	20	-15	-15	32	○
SLC450/4-2B	1350	2.07	1.89	1.67	1.38							3.70	11.9	0.55	S2B	EL16	TC18	55	-9	-12	30	-14	-15	47	○
SLC450/2-1	2780	3.03	2.93	2.84	2.73	2.62	2.51	2.36	2.00	1.44		8.10	30.1	1.5	S2B	-----	-----	68	-10	-16	60	-16	-22	95	○
SLC500/4-2A	1350	1.81	1.70	1.57	1.36	1.00						2.56	5.93	0.37	S2B	EL13	TC14	58	-9	-15	15	-16	-22	25	○
SLC500/4-2B	1380	2.58	2.42	2.22	2.00	1.64						4.52	11.3	0.75	S2B	EL16	TC18	58	-9	-14	30	-14	-15	48	○
SLC560/4-2A	1380	2.90	2.78	2.62	2.42	2.10						4.52	11.3	0.75	S2B	EL16	TC18	59	-9	-15	24	-16	-21	39	○
SLC560/4-2B	1350	3.35	3.15	2.96	2.71	2.35						6.28	16.4	1.0	S2B	-----	TC18	59	-9	-13	32	-15	-15	51	○
SLC630/6-1A	950	2.54	2.28	1.86								2.30	5.25	0.37	S2B	-----	-----	58	-11	-15	12	-16	-23	19	○
SLC630/6-1B	950	3.31	2.95	2.48								3.92	9.75	0.55	S2B	-----	-----	58	-11	-14	20	-15	-21	33	○
SLC630/4-2	1350	3.72	3.56	3.36	3.12	2.78	2.22					6.28	16.4	1.0	S2B	-----	TC18	64	-10	-14	25	-15	-25	40	○

Sound levels are average spherical free field values (for comparative use only). Value at 50% peak pressure.

Availability:
 ○ Ex-Stock - Next day delivery

THREE PHASE - FIXED OR VARIABLE SPEED 380V-415V / 3PH / 50HZ †

Product Code	Speed rpm	Airflow m³/sec @ Static Pressure Pa.												Motor Electrical Data			A.V. Mounts	Speed Controllers			dBA @ 3m	Silencer Data						Availability
		0	50	100	150	200	250	300	400	500	600	700	800	FL Amps	SC Amps	Output kW		Inverter		Transformer		dBA		ΔP (Pa)				
																		1Ph-3Ph †	3Ph-3Ph			1DENP	1DEP	1DEP	2DENP	2DEP	2DEP	
SLC315/4-3	1365	0.64	0.58	0.46									0.44	1.94	0.12	S1G	08E/18	28E/75	TC33	46	-8	-11	12	-13	-15	19	○	
SLC315/2-3	2780	0.95	0.93	0.91	0.88	0.84	0.82	0.78	0.66				1.40	8.54	0.55	S1G	08E/75	28E/75	-----	61	-9	-14	25	-16	-21	40	○	
SLC350/4-3	1340	0.85	0.77	0.66									0.62	3.22	0.18	S1G	08E/18	28E/75	TC33	49	-9	-12	17	-14	-16	27	○	
SLC350/2-3A	2800	1.48	1.45	1.42	1.38	1.34	1.31	1.26	1.17	1.03			2.50	17.9	1.1	S1G	28E/150-1	28E/150	-----	64	-9	-11	47	-14	-15	77	○	
SLC350/2-3B	2840	1.93	1.89	1.85	1.82	1.77	1.73	1.68	1.56	1.40			4.80	33.6	2.2	S2B	28E/220-1	28E/220	-----	63	-9	-12	80	-14	-15	127	○	
SLC400/4-3	1390	1.42	1.31	1.16									1.12	5.82	0.37	S1G	08E/37	28E/75	TC33	52	-9	-12	23	-14	-16	37	○	
SLC400/2-3	2840	2.40	2.37	2.34	2.29	2.25	2.22	2.16	2.04	1.88	1.67		4.80	33.6	2.2	S2B	28E/220-1	28E/220	-----	67	-9	-11	67	-14	-15	108	○	
SLC450/4-3A	1390	1.70	1.57	1.42	1.18								1.12	5.82	0.37	S2B	08E/37	28E/75	TC33	56	-9	-12	20	-15	-15	30	○	
SLC450/4-3B	1365	2.04	1.88	1.70	1.43								1.57	9.42	0.55	S2B	08E/75	28E/75	TC33	56	-9	-12	32	-14	-15	52	○	
SLC450/2/3A	2840	2.89	2.82	2.78	2.72	2.66	2.60	2.53	2.39	2.22	2.00		4.80	33.6	2.2	S2B	28E/220-1	28E/220	-----	75	-9	-16	57	-16	-24	92	○	
SLC450/2/3B	2850	3.83	3.79	3.74	3.69	3.63	3.57	3.50	3.31	3.10	2.84	2.50	8.82	61.7*	4.0	S2B	-----	28E/400	-----	75	-9	-13	110	-14	-15	177	○	
SLC500/4-3A	1390	1.72	1.63	1.50	1.30	1.03	0.50						1.12	5.82	0.37	S2B	08E/37	28E/75	TC33	58	-9	-15	12	-16	-21	19	○	
SLC500/4-3B	1370	2.59	2.41	2.23	2.00	1.62							2.00	11.4	0.75	S2B	08E/75	28E/75	-----	58	-9	-12	30	-14	-15	48	○	
SLC500/4-3C	1380	3.00	2.83	2.60	2.32								2.90	15.4	1.1	S2B	28E/150-1	28E/150	TC33	58	-9	-12	42	-14	-15	67	○	
SLC500/2-3A	2850	4.12	4.08	4.02	3.98	3.90	3.84	3.75	3.63	3.46	3.25	3.02	2.70	8.82	61.7*	4.0	S2	-----	28E/400	-----	78	-9	-16	72	-16	-24	116	○
SLC500/2-3B	2935	4.76	4.72	4.68	4.60	4.52	4.46	4.40	4.24	4.08	3.88	3.63	3.32	10.3	82.4*	5.5	S2	-----	28E/550	-----	71	-10	-13	100	-15	-15	160	○
SLC560/4-3A	1370	2.80	2.67	2.52	2.29	1.98							2.00	11.4	0.75	S2B	08E/75	28E/75	-----	59	-9	-15	22	-16	-21	36	○	
SLC560/4-3B	1380	3.50	3.31	3.13	2.88	2.60							2.90	15.4	1.1	S2B	28E/150-1	28E/150	TC33	60	-8	-12	35	-14	-15	57	○	
SLC560/4-3C	1390	4.06	3.85	3.60	3.32	2.94							3.70	20.4	1.5	S2B	28E/150-1	28E/150	TC35	60	-8	-12	48	-14	-15	78	○	
SLC560/2-3	2920	6.70	6.63	6.51	6.37	6.30	6.18	6.05	5.80	5.53	5.25	4.88	4.50	13.6	92.5*	7.5	S2	-----	28E/750	-----	75	-9	-12	120	-14	-15	192	○
SLC630/6-3A	925	2.78	2.40	1.90									1.11	5.77	0.37	S2B	08E/37	28E/75	TC33	57	-11	-15	13	-16	-23	21	●	
SLC630/6-3B	920	3.40	3.04	2.48									1.61	8.53	0.55	S2B	08E/75	28E/75	TC33	59	-9	-14	21	-15	-21	34	●	
SLC630/4-3A	1380	3.69	3.52	3.32	3.08	2.76	2.32						2.50	15.4	1.1	S2B	28E/150-1	28E/150	TC33	64	-10	-16	25	-15	-25	40	○	
SLC630/4-3B	1400	5.40	5.17	4.90	4.61	4.30	3.88						5.20	25.0	2.2	S2	28E/220-1	28E/220	TC310	63	-10	-14	54	-14	-21	87	○	

Larger units are detailed on page 14.

All electrical data stated at 400V

All starting currents are quoted as direct-on-line. Those marked * are available for star-delta starting if required.

† Models shown as speed controllable using a 240V/1Ph input - 240V/3Ph output inverter.

All models with motor power up to 3kW may also be operated at 220V-240V/3Ph/50Hz.

Sound levels are average spherical free field values (for comparative use only). Value at 50% peak pressure.

Inverters are fully enclosed in an IP55 enclosure c/w with control knob and RFI filters.

Availability:

- Ex-Stock - Next day delivery
- Standard - 10 working days

THREE PHASE - FIXED OR VARIABLE SPEED 380V-415V / 3PH / 50HZ †

Product Code	Speed rpm	Airflow m³/sec @ Static Pressure Pa.										Motor Electrical Data			A.V. Mounts	Speed Controllers			dBA @ 3m	Silencer Data						Availability
		0	50	100	150	200	250	300	400	500	600	FL Amps	SC Amps	Output kW		Inverter		Transformer		dBA Attenuation		ΔP (Pa) 1DEP	dBA Attenuation		ΔP (Pa) 2DEP	
																1Ph-3Ph †	3Ph-3Ph			1DEP	1DEP		2DEP	2DEP		
																						1DEP			1DEP	
SLC710/6-3A	920	3.80	3.40	2.85							1.61	8.53	0.55	S2B	08E/75	28E/75	TC33	60	-12	-17	14	-17	-25	23	●	
SLC710/6-3B	940	5.56	5.06	4.28							4.30	22.3	1.5	S2	08E/220-1	28E/220	TC310	61	-11	-14	35	-15	-21	56	●	
SLC710/4-3A	1405	7.12	6.82	6.52	6.18	5.82	5.38	4.76			6.78	47.5	3.0	S2G	-----	28E/300	-----	70	-10	-14	57	-14	-21	91	○	
SLC710/4-3B	1420	8.18	7.88	7.52	7.17	6.75	6.22				8.82	61.7*	4.0	S2G	-----	28E/400	-----	71	-10	-14	73	-14	-21	117	○	
SLC800/6-3A	940	6.92	6.38	5.62							4.30	22.3	1.5	S2	08E/220-1	28E/220	TC310	65	-12	-14	33	-16	-21	53	●	
SLC800/6-3B	940	7.48	7.02	6.50	5.69						5.36	30.5	2.2	S2G	08E/220-1	28E/220	-----	70	-11	-15	40	-15	-22	64	●	
SLC800/4-3A	1420	8.28	8.08	7.82	7.54	7.22	6.87	6.48	5.55		8.82	61.7*	4.0	S2G	-----	28E/400	-----	77	-10	-19	48	-15	-28	77	○	
SLC800/4-3B	1470	9.60	9.38	9.08	8.82	8.50	8.16	7.80	6.90		10.6	84.8*	5.5	S2G	-----	28E/550	-----	77	-10	-15	67	-14	-22	108	●	
SLC900/8-3	710	8.00	7.22	6.00							4.08	22.4	1.5	S2Y	08E/220-1	28E/220	-----	63	-11	-15	29	-15	-20	46	●	
SLC900/6-3A	930	8.18	7.72	7.20	6.55	5.66					5.36	30.5	2.2	S2G	08E/220-1	28E/220	-----	71	-9	-13	29	-13	-19	46	●	
SLC900/6-3B	950	9.45	9.02	8.48	7.82	6.95					6.82	36.1	3.0	S2G	-----	28E/300	-----	70	-11	-15	40	-15	-20	64	●	
SLC900/4-3A	1470	12.10	11.78	11.47	11.16	10.78	10.39	10.00	9.00	7.70	14.2	114*	7.5	S2Y	-----	58E/750	-----	81	-9	-15	64	-13	-21	103	●	
SLC900/4-3B	1470	14.70	14.39	14.04	13.76	13.38	13.02	12.60	11.65	10.38	21.0	126*	11	S3B	-----	58E/1100	-----	79	-9	-14	99	-13	-20	159	●	
SLC1000/8-3	710	8.60	7.90	6.92							4.08	22.4	1.5	S2Y	08E/220-1	28E/220	-----	66	-9	-15	22	-15	-20	36	●	
SLC1000/6-3A	930	9.16	8.65	8.09	7.38	6.52	5.10				5.36	30.5	2.2	S2Y	08E/220-1	28E/220	-----	71	-10	-15	42	-16	-24	68	●	
SLC1000/6-3B	950	10.70	10.15	9.57	8.88	8.00	6.88				6.82	36.1	3.0	S2Y	-----	28E/300	-----	71	-10	-15	23	-14	-20	38	●	
SLC1000/4-3A	1470	13.20	12.86	12.50	12.19	11.80	11.42	10.96	9.90	8.70	14.2	114*	7.5	S2Y	-----	58E/750	-----	83	-9	-16	33	-14	-26	53	●	
SLC1000/4-3B	1470	16.00	15.62	15.35	15.02	14.62	14.18	13.71	12.71	11.50	21.0	126*	11	S3B	-----	58E/1100	-----	83	-9	-16	45	-14	-26	73	●	
SLC1000/4-3C	1460	18.48	18.22	17.92	17.48	17.15	16.84	16.35	15.35	14.12	28.4	170*	15	S3B	-----	58E/1500	-----	84	-10	-15	71	-13	-21	114	●	

Smaller units are detailed on page 12 & 13.

All electrical data stated at 400V

All starting currents are quoted as direct-on-line. Those marked * are available for star-delta starting if required.

† Models shown as speed controllable using a 240V/1Ph input - 240V/3Ph output inverter.

All models with motor power up to 3kW may also be operated at 220V-240V/3Ph/50Hz.

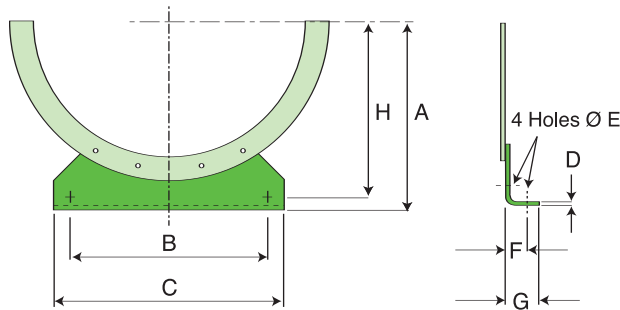
Sound levels are average spherical free field values (for comparative use only). Value at 50% peak pressure.

Inverters are fully enclosed in an IP55 enclosure c/w with control knob and RFI filters.

Availability:

- Ex-Stock - Next day delivery
- Standard - 10 working days

MOUNTING FEET



Fan Dia.	A	B	C	D	E	F	G	H	Wt. kg.
315	200	265	315	3	9	23	40	180	1.0
350	230	300	350	3	9	23	40	210	1.3
400	250	350	400	4	9	27.5	50	230	1.5
450	280	400	450	4	11	27.5	50	255	2.0
500	315	450	500	4	11	27.5	50	290	2.5
560	355	510	560	5	11	32	60	330	4.0
630	400	580	630	5	11	32	60	375	5.0
710	450	660	710	5	11	32	60	425	5.5
800	500	750	800	5	11	32	60	475	6.0
900	560	850	900	6	11	36	70	530	9.0
1000	630	950	1000	6	13	36	70	595	12.0

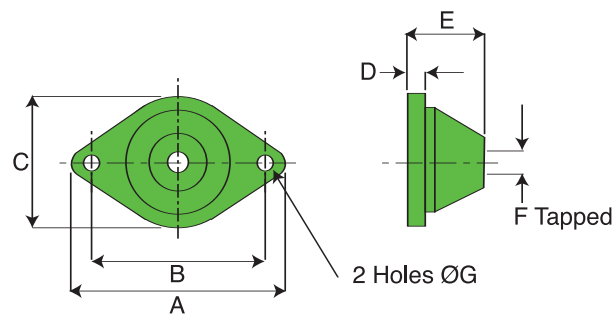
For free standing support. Mounts directly to casing flange. Supplied individually, less fixings.

Material & finish

Steel, hot dipped galvanised.

Note: For product codes please refer to price list

ANTI-VIBRATION MOUNTS



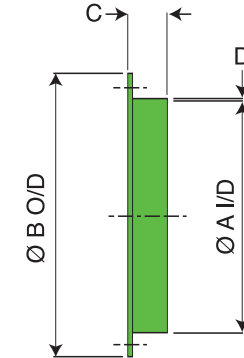
Type	A	B	C	D	E	F	G
S1G	64	50	43	5.5	20	M6	7
S2							
S2B	80	57	45	5.0	32	M8	12_9
S2G							
S2Y							
S3B	95	71	60	5.0	45	M10	14_9

Fits directly to mounting feet to help minimise noise and vibration in sensitive locations. Supplied in sets of 4, complete with fixings to mounting feet.

Material & finish

Rubber with steel insert.

MATCHING FLANGES



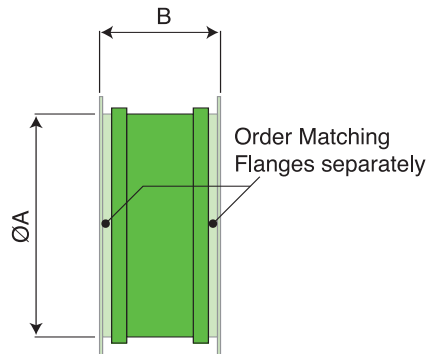
Fan Dia. A	B	C	D	Weight kg.
315	375	30	1.5	0.7
350	425	40	1.5	0.9
400	475	40	1.5	1.1
450	530	40	1.5	2.2
500	585	45	2.0	2.6
560	645	45	2.0	3.0
630	715	45	2.0	3.4
710	795	45	2.0	3.7
800	900	50	2.0	5.0
900	1000	50	2.0	5.5
1000	1100	50	2.0	6.5

Fits directly to fan casing mounting flange to provide a coupling for a Flexible Collar, or an alternative fixing for any other matched interconnection. Supplied individually less fixings.

Material & finish

Steel, hot dipped galvanised.

FLEXIBLE COLLAR & CLIPS



Fan Dia. A	B	Wt. kg.
315	150	2.0
350	150	2.0
400	150	2.5
450	150	3.0
500	150	5.0
560	150	5.5
630	200	6.0
710	200	6.5
800	200	10.5
900	200	12.0
1000	250	13.5

Fits directly between matching flanges so as to provide a flexible interconnection with any matched interface e.g. ducting. Supplied individually, complete with fixing bands.

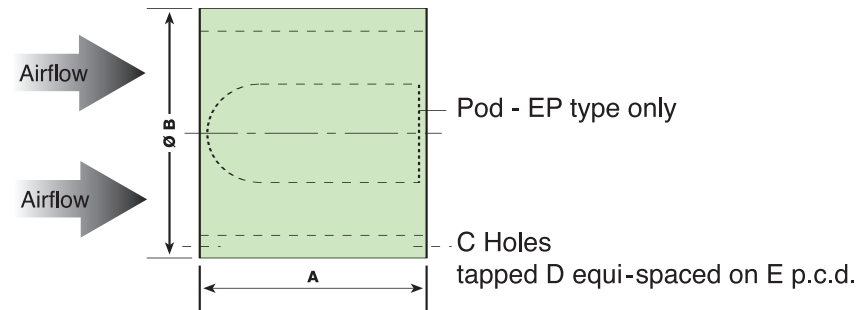
Material & finish

PVC coated polyester, plated steel banding.

- **Alternative materials available to order**

Note: For product codes please refer to price list

SILENCERS



Fan Dia.	A 1D	A 2D	B	C	D	E	Weight kg.			
							1DENP	1DEP	2DENP	2DEP
315	315	630	415	8	M8	355	9	11	15	17
350	350	700	450	8	M8	395	11	13	18	21
400	400	800	500	8	M10	450	13	16	22	26
450	450	900	602	8	M10	500	15	18	27	31
500	500	1000	653	12	M10	560	18	22	32	37
560	560	1120	713	12	M10	620	22	26	39	46
630	630	1260	785	12	M10	690	26	32	48	57
710	710	1420	865	16	M10	770	32	39	59	71
800	800	1600	955	16	M10	860	40	49	74	90
900	900	1800	1106	16	M12	970	55	67	102	123
1000	1000	2000	1207	16	M12	1070	66	82	124	151

Four variants of attenuators are available. 1DENP & 2DENP are a straight through design whilst 1DEP & 2DEP contain a cylindrical centrebody for enhanced attenuation. This latter type incurs an airside pressure drop. Silencers are supplied less fixings.

Material & finish

Pre-galvanised steel sheet casing and perforated lining. High density mineral wool in-fill with glass tissue facing.

These silencers are not suited to saturated conditions - Refer to Elta.