

Model	A	B	C	D	Weight kg. [†]
SSMF31	710	684	325	85	20
SSMF35	800	784	445	90	25
SSMF40	800	784	445	90	27
SSMF45	960	934	510	100	40
SSMF50	960	934	510	100	42
SSMF56	1230	1054	590	105	82
SSMF63	1230	1054	590	105	90

[†] Weights only include Skyflow Roof Unit, Fan Plate and Impeller.

SPECIFICATION

General

The Skyflow mixed flow roof unit SSMF shall be from the Select range of Elta Fans Ltd. The top cowl and fan support housing shall be manufactured from UV stabilised GRP finished in goose wing grey (BS 00-A-05)*. The unit shall incorporate a zinc plated frame and a bird guard on the discharge side.

Impeller Assemblies

Adjustable pitch mixed flow impellers shall be provided with the blade angles set to meet the stated duty. The impeller construction shall comprise natural aluminium finish spinnings and pressings together with steel hub assemblies which are zinc plated.

Motors

Highly efficient, lightweight induction motors shall be provided, these will have sealed for life, maintenance free ball bearings. Each motor shall be matched to the aerodynamic performance of the impeller. Motors shall be Class F insulated to EN 60034-5, weatherproofed to IP55 and suitable for speed control. They shall have an integral thermal overload protection. The fan shall be suitable for operating temperatures of up to +70°C fixed speed and +50°C when used with speed controllers.

Quality Management

Units are to be designed and manufactured with procedures as defined in BS EN ISO 9001:2000. EEC directives shall be met.

All SSMF units are to be tested to ISO 5801:1997 (airside performance) and BS 848 pt 2:1985 (sound performance).

* Other colours available to special order.

ACCESSORIES

- ◆ Backdraught Shutters
- ◆ Purlin Box
- ◆ Drop-in-silencers
- ◆ Speed Controllers
- ◆ Soaker Sheets

ROOF UNIT MIXED FLOW FANS - SSMF

skyflow



SINGLE PHASE - FIXED OR VARIABLE SPEED 220V-240V / 1PH / 50HZ

Product Code	Speed rpm	Airflow m³/sec @ Static Pressure Pa.									Motor Electrical Data			Speed Controllers		Sound Level dBA @ 3m	Silencer Attenuation & Pressure Drop Data							
		0	50	100	150	200	250	300	400	500	FL Amps	SC Amps	Output kW	Elec-tronic	Trans-former		600L		900L		1200L			
		dBA	ΔP Pa	dBA	ΔP Pa	dBA	ΔP Pa	dBA	ΔP Pa	dBA	ΔP Pa	dBA	ΔP Pa	dBA	ΔP Pa		dBA	ΔP Pa	dBA	ΔP Pa				
SSMF315/6-5-2	935	0.37	0.28	0.05									1.05	2.00	0.12	EL13T	TC12	47	-8	5	-10	7	-12	8
SSMF315/4-5-2	1395	0.58	0.52	0.46	0.38	0.24							1.80	3.60	0.25	EL13T	TC14	58	-9	13	-12	17	-14	19
SSMF350/6-5-2	885	0.64	0.52	0.34									1.05	2.00	0.12	EL13T	TC12	49	-9	15	-11	20	-13	23
SSMF350/4-4-2	1300	0.94	0.86	0.77	0.66	0.53	0.22						1.80	3.60	0.25	EL13T	TC14	59	-9	30	-12	39	-15	45
SSMF400/6-5-2	820	0.78	0.64	0.46	0.10								1.05	2.00	0.12	EL13T	TC12	51	-10	15	-12	19	-14	22
SSMF400/4-5-2	1330	1.18	1.11	1.04	0.95	0.86	0.75	0.60	0.19				3.60	10.8	0.55	EL16T	TC18	63	-11	35	-15	46	-19	53
SSMF450/6-5-2	935	1.28	1.13	0.97	0.78	0.53	0.18						6.00	12.6	0.55	EL16T	TC18	55	-9	21	-12	27	-13	32
SSMF450/4-4-2	1290	1.65	1.54	1.43	1.31	1.18	1.04	0.87	0.42	0.05			4.90	15.0	0.75	EL16T	TC18	63	-9	30	-13	39	-14	45
SSMF500/6-5-2	890	1.60	1.43	1.25	1.03	0.78	0.45	0.08					6.00	12.6	0.55	EL16T	TC18	58	-8	21	-11	27	-12	32
SSMF560/6-3-2	875	2.00	1.82	1.62	1.39	1.09	0.70	0.26					6.00	12.6	0.55	EL16T	TC18	60	-11	23	-13	29	-16	34

THREE PHASE - FIXED OR VARIABLE SPEED 380V-415V / 3PH / 50HZ

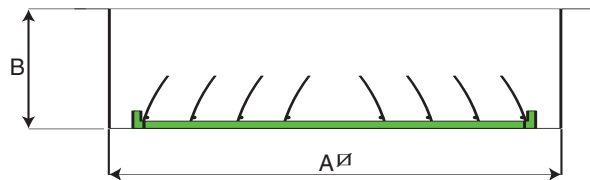
Product Code	Speed rpm	Airflow m³/sec @ Static Pressure Pa.											Motor Electrical Data			Speed Controllers		Sound Level dBA @ 3m	Silencer Attenuation & Pressure Drop Data					
		0	50	100	150	200	250	300	400	500	700	900	FL Amps	SC Amps	Output kW	Inverter	Trans-former		600L		900L		1200L	
		dBA	ΔP Pa	dBA	ΔP Pa	dBA	ΔP Pa	dBA	ΔP Pa	dBA	ΔP Pa	dBA	ΔP Pa	dBA	ΔP Pa	dBA	ΔP Pa		dBA	ΔP Pa	dBA	ΔP Pa		
SSMF315/6-5-3	955	0.38	0.28										0.68	1.70	0.18	28E/75	TC33	47	-8	5	-10	7	-12	8
SSMF315/4-5-3	1415	0.59	0.53	0.46	0.37	0.25							1.40	4.50	0.37	28E/75	TC33	59	-9	13	-12	17	-14	19
SSMF350/6-5-3	920	0.70	0.59	0.41									0.68	1.70	0.18	28E/75	TC33	50	-9	16	-11	21	-13	24
SSMF350/4-5-3	1330	0.93	0.86	0.77	0.67	0.54	0.34						1.40	4.50	0.37	28E/75	TC33	60	-9	30	-12	39	-15	45
SSMF400/6-5-3	855	0.83	0.69	0.52	0.24								0.68	1.70	0.18	28E/75	TC33	52	-10	18	-12	23	-14	27
SSMF400/4-5-3	1460	1.37	1.30	1.22	1.14	1.05	0.95	0.83	0.51	0.12			2.00	7.50	0.75	28E/75	TC33	65	-13	43	-16	55	-18	64
SSMF450/6-5-3	910	1.24	1.07	0.89	0.67	0.38	0.09						0.94	2.40	0.25	28E/75	TC33	54	-9	19	-12	25	-13	29
SSMF450/4-4-3	1380	1.79	1.67	1.55	1.44	1.32	1.20	1.06	0.73	0.30			2.00	7.50	0.75	28E/75	TC33	64	-9	47	-13	61	-14	70
SSMF500/6-5-3	920	1.69	1.51	1.32	1.12	0.87	0.56	0.19					2.00	6.20	0.55	28E/75	TC33	59	-8	29	-11	37	-12	43
SSMF500/4-4-3	1390	2.40	2.30	2.19	2.07	1.95	1.82	1.68	1.37	1.01	0.16		4.30	15.5	1.5	28E/220	TC310	68	-9	53	-13	69	-15	80
SSMF560/6-3-3	910	2.09	1.90	1.70	1.48	1.20	0.86	0.49					2.00	6.20	0.55	28E/75	TC33	61	-11	27	-13	35	-16	40
SSMF560/4-2-3	1390	2.77	2.67	2.57	2.45	2.34	2.22	2.08	1.78	1.39	0.30		4.30	15.5	1.5	28E/220	TC310	69	-12	35	-16	45	-18	52
SSMF560/4-4-3	1435	3.87	3.74	3.61	3.47	3.34	3.20	3.05	2.74	2.38	1.38	0.31	6.78	47.5	3.0	28E/300	TC310	70	-12	70	-16	92	-18	105
SSMF630/6-3-3	965	3.52	3.31	3.09	2.85	2.60	2.33	2.03	1.30	0.43			5.36	30.5	2.2	28E/220	TC310	67	-14	29	-17	38	-19	43

Sound levels are average spherical free field values (for comparative use only). Value at 50% peak pressure.

46 Performance & Electrical Data

Products detailed within this data sheet represent the stocked range of Elta Skyflow fans. Many more options, selections and sizes are available on a made to order basis.

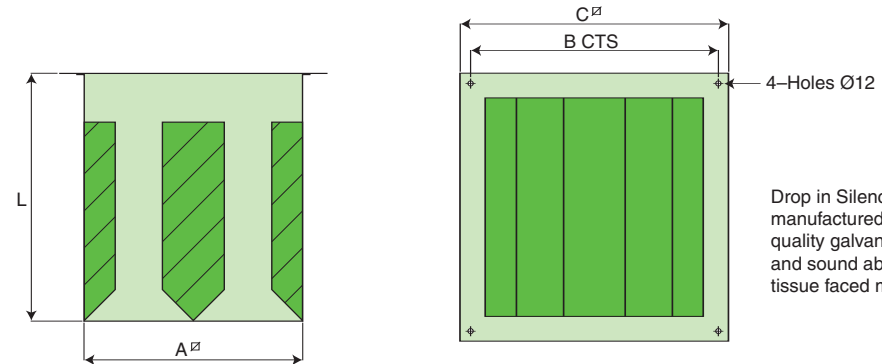
BACKDRAUGHT SHUTTERS



Model	A	B	Wt. kg.
SSMF31	434	130	3.5
SSMF35	534	130	5.0
SSMF40	534	130	5.0
SSMF45	677	230	8.0
SSMF50	677	230	8.0
SSMF56	780	300	11.5
SSMF63	780	300	11.5

Note: For product codes please refer to price list

DROP IN SILENCERS

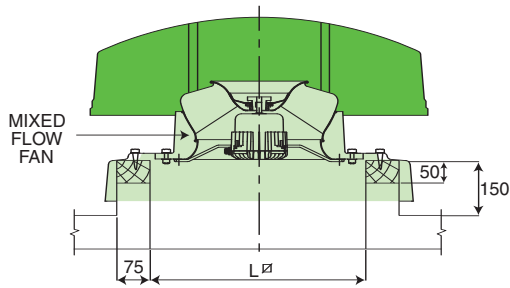


Drop in Silencers manufactured from high quality galvanised steel and sound absorbant tissue faced mineral wool.

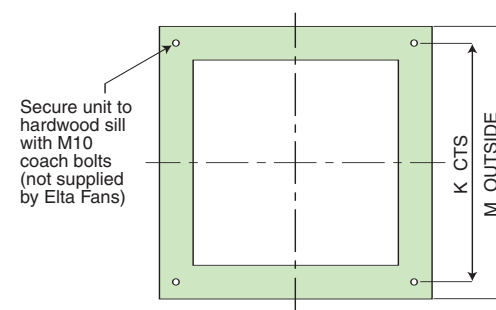
Model		A	B	C	D*	Air Ways	Weight Kg.
SSMF31	068-SFDS-0600-A	440	500	600	600	2	15
	068-SFDS-0900-A				900		20
	068-SFDS-1200-A				1200		25
SSMF35	068-SFDS-0600-B	530	600	650	600	2	17
	068-SFDS-0900-B				900		24
	068-SFDS-1200-B				1200		32
SSMF45/50	068-SFDS-0600-C	670	745	800	600	2	23
	068-SFDS-0900-C				900		34
	068-SFDS-1200-C				1200		43
SSMF56/63	068-SFDS-0600-D	810	870	940	600	3	27
	068-SFDS-0900-D				900		41
	068-SFDS-1200-D				1200		50

* 'D' Dimension available in choice of three lengths.

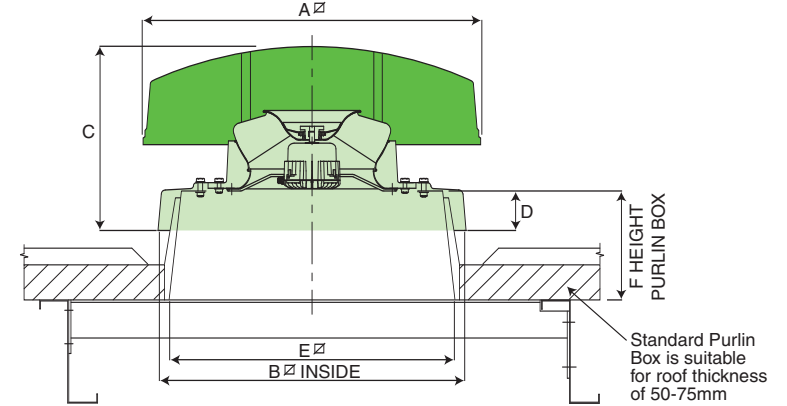
Curb Mounted



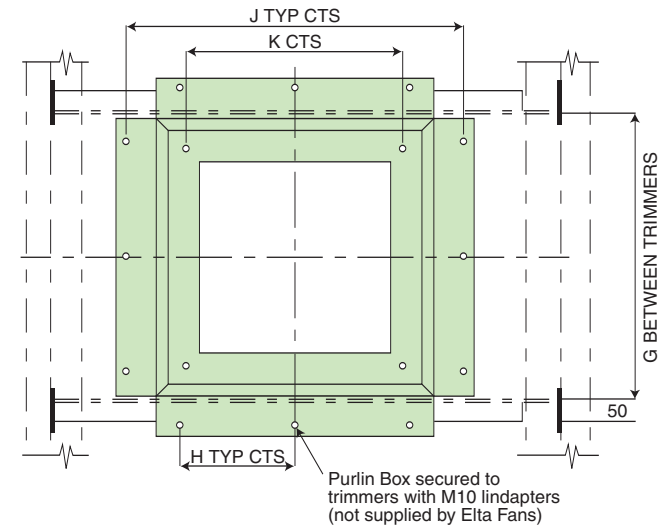
Curb Detail



Purlin Mounted



Purlin Detail



Model	A	B	C	D	E	F	G	H	J	K	L	M	Wt. kg.†
SSMF31	710	684	325	85	610	240	636	250	750	500	460	610	20
SSMF35	800	784	445	90	730	250	756	300	870	600	550	722	25
SSMF40	800	784	445	90	730	250	756	300	870	600	550	700	27
SSMF45	960	934	510	100	860	250	886	350	1000	745	700	850	40
SSMF50	960	934	510	100	860	250	886	350	1000	745	700	850	42
SSMF56	1230	1054	590	105	1000	250	1026	435	1140	870	830	980	82
SSMF63	1230	1054	590	105	1000	250	1026	435	1140	870	830	980	90

† Weights only include Skyflow Roof Unit, Fan Plate and Impeller.