

Model	A	B	C	D	Weight kg. [†]
SSF25	500	500	310	80	12
SSF31	710	684	325	85	16
SSF35	710	684	325	85	17
SSF40	800	784	445	90	23
SSF45	800	784	445	90	24
SSF50	960	934	510	100	33
SSF56	960	934	510	100	37
SSF63	1230	1054	590	105	53
SSF71	1230	1054	590	105	53
SSF80	1400	1174	670	100	64

[†] Includes fan unit and shutter valve.

SPECIFICATION

General

The Skyflow axial roof unit SSF shall be from the Select range of Elta Fans Ltd. The top cowl and fan support housing shall be manufactured from UV stabilised GRP finished in goose wing grey (BS 00-A-05)*. The unit shall incorporate a zinc plated steel inlet guard on the discharge side. The fan plate and motor shall have a powder coated polyester epoxy paint finished in pastel beige (RAL 7032).

Impeller Assemblies

Adjustable pitch aerodynamic impellers shall be provided, made from high quality GRP. These shall be factory set at an angle to provide maximum performance. Hubs shall be made from die cast aluminium alloy (LM24). Impeller assemblies are balanced to grade G6.3.

Motors

Highly efficient, lightweight induction motors shall be provided, these will have sealed for life, maintenance free ball bearings. Each motor shall be matched to the aerodynamic performance of the impeller. Motors shall be Class F insulated to EN 60034-5, weatherproofed to IP55 and suitable for speed control. They shall have an integral thermal overload protection. The fan shall be suitable for operating temperatures of up to +70°C fixed speed and +50°C when used with speed controllers. Electrical connection to the motor shall be provided by an IP55 terminal box fitted to a 550mm long flying lead, from the unit's inlet side.

Quality Management

All units are to be designed and manufactured with procedures as defined in BS EN ISO 9001:2000. EEC directives shall be met. All SSF units are to be tested to ISO 5801:1997 (airside performance) and BS 848 pt 2:1985 (sound performance).

* Other colours available to special order.

ACCESSORIES

- ◆ Backdraught Shutters
- ◆ Bird Guard
- ◆ Purlin Box
- ◆ Drop-in-silencers
- ◆ Speed Controllers
- ◆ Soaker Sheets

ROOF UNIT AXIAL FANS - SSF

skyflow



SINGLE PHASE - FIXED OR VARIABLE SPEED 220V-240V / 1PH / 50HZ

Product Code	Speed rpm	Airflow m ³ /sec @ Static Pressure Pa.													Motor Electrical Data			Speed Controllers		Sound Level dBA @ 3m	Silencer Attenuation and Pressure Drop Data					
		0	10	20	30	40	50	60	80	100	120	140	160	200	FL Amps	SC Amps	Output kW	Elec-tronic	Trans-former		600L		900L		1200L	
		dBA	ΔP Pa	dBA	ΔP Pa	dBA	ΔP Pa	dBA	ΔP Pa	dBA	ΔP Pa	dBA	ΔP Pa	dBA	ΔP Pa							dBA	ΔP Pa	dBA	ΔP Pa	dBA
SSF25/4-1	1455	0.26	0.24	0.23	0.21	0.19	0.18	0.15	0.12						0.90	1.45	0.09	EL13T	TC12	43	-17	3	-21	4	-24	5
SSF31/4-1	1390	0.50	0.48	0.46	0.43	0.41	0.38	0.35	0.28	0.19					0.90	1.45	0.09	EL13T	TC12	46	-17	9	-21	12	-24	14
SSF35/4-1	1330	0.65	0.62	0.60	0.57	0.54	0.50	0.47	0.39	0.30	0.21				0.90	1.45	0.09	EL13T	TC12	53	-17	14	-21	18	-24	21
SSF40/4-1	1375	1.09	1.06	1.02	0.99	0.96	0.92	0.89	0.80	0.67	0.48	0.37			1.80	3.60	0.25	EL13T	TC14	54	-17	35	-21	45	-24	53
SSF45/6-1	850	0.86	0.80	0.72	0.64	0.55	0.44	0.32	0.17						1.05	2.00	0.12	EL13T	TC12	50	-17	6	-21	8	-24	9
SSF45/4-1	1300	1.32	1.28	1.24	1.20	1.16	1.11	1.06	0.95	0.82	0.63	0.50			1.80	3.60	0.25	EL13T	TC14	58	-17	29	-21	38	-24	43
SSF50/6-1	860	1.22	1.15	1.09	1.03	0.96	0.88	0.77	0.46	0.33	0.25				1.55	3.50	0.18	EL13T	TC14	52	-9	12	-12	16	-15	18
SSF50/4-1	1350	1.88	1.83	1.79	1.74	1.70	1.65	1.61	1.51	1.42	1.31	1.20			3.60	10.8	0.55	EL16T	TC18	60	-11	53	-14	69	-17	80
SSF56/6-1	875	1.69	1.64	1.58	1.53	1.47	1.40	1.30	0.93	0.76	0.65				2.20	5.50	0.25	EL13T	TC14	56	-12	19	-15	25	-18	29
SSF56/4-1	1350	2.45	2.39	2.33	2.28	2.22	2.17	2.11	1.99	1.84	1.56	1.18			4.90	15.0	0.75	EL16T	TC18	63	-13	43	-17	55	-19	64
SSF63/6-1	850	2.40	2.35	2.29	2.22	2.16	2.09	2.02	1.84	1.53	1.17	1.01			6.00	12.6	0.55	EL16T	TC18	59	-11	17	-15	22	-18	25
SSF63/4-1	1310	3.50	3.43	3.36	3.29	3.21	3.12	3.03	2.84	2.62	2.36	2.04	1.64		7.90	19.75	1.1	-----	TC110	67	-14	35	-18	45	-21	53

THREE PHASE - FIXED OR VARIABLE SPEED 380V-415V / 3PH / 50HZ

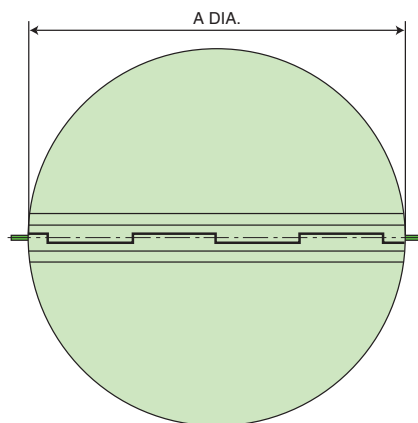
Product Code	Speed rpm	Airflow m ³ /sec @ Static Pressure Pa.													Motor Electrical Data			Speed Controllers	Sound Level dBA @ 3m	Silencer Attenuation and Pressure Drop Data						
		0	10	20	30	40	50	60	80	100	120	140	160	200	FL Amps	SC Amps	Output kW	Transformer		600L		900L		1200L		
		dBA	ΔP Pa	dBA	ΔP Pa	dBA	ΔP Pa	dBA	ΔP Pa	dBA	ΔP Pa	dBA	ΔP Pa	dBA	ΔP Pa						dBA	ΔP Pa	dBA	ΔP Pa	dBA	ΔP Pa
SSF31/4-3	1390	0.50	0.48	0.46	0.43	0.41	0.38	0.35	0.28	0.19					0.50	1.15	0.12	TC33		46	-17	9	-21	12	-24	14
SSF35/4-3	1330	0.65	0.62	0.60	0.57	0.54	0.5	0.47	0.39	0.3	0.21				0.50	1.15	0.12	TC33		53	-17	14	-21	18	-24	21
SSF40/4-3	1375	1.09	1.06	1.02	0.99	0.96	0.92	0.89	0.8	0.67	0.48	0.37			1.40	4.50	0.37	TC33		54	-17	35	-21	45	-24	53
SSF45/6-3	850	0.86	0.79	0.73	0.66	0.58	0.50	0.39	0.14						0.68	1.70	0.18	TC33		50	-17	6	-21	8	-24	9
SSF45/4-3	1300	1.30	1.26	1.22	1.18	1.14	1.09	1.05	0.95	0.82	0.65	0.51			1.40	4.50	0.37	TC33		58	-17	29	-21	38	-24	43
SSF50/6-3	830	1.18	1.11	1.05	0.99	0.92	0.84	0.74	0.49	0.35					0.94	2.40	0.25	TC33		52	-9	12	-12	16	-15	18
SSF50/4-3	1320	1.52	1.48	1.44	1.40	1.36	1.32	1.28	1.24	1.20	1.16	1.12	0.9		1.75	6.20	0.55	TC33		60	-11	53	-14	69	-17	80
SSF56/6-3	830	1.64	1.58	1.53	1.47	1.41	1.34	1.23	0.92	0.76	0.65				0.94	2.40	0.25	TC33		56	-12	19	-15	25	-18	29
SSF56/4-3	1320	2.39	2.34	2.29	2.23	2.18	2.12	2.06	1.93	1.77	1.43	1.19			2.00	7.50	0.75	TC35		63	-13	43	-17	55	-19	64
SSF63/6-3	850	2.36	2.29	2.22	2.16	2.10	2.04	1.97	1.78	1.47	1.17				1.90	5.80	0.55	TC35		59	-11	17	-15	22	-18	25
SSF63/4-3	1320	3.80	3.75	3.71	3.76	3.63	3.59	3.54	3.45	3.36	3.27	3.18	3.08	2.86	4.30	15.5	1.5	TC35		69	-15	53	-19	69	-22	80
SSF71/6S-3	720	3.10	2.97	2.83	2.68	2.53	2.38	2.22							1.50	5.40	0.50	TC33		55	-12	29	-15	38	-18	43
SSF71/6D-3	880	3.50	3.41	3.32	3.21	3.10	2.97	2.83	2.52						3.40	12.3	1.1	TC35		60	-12	38	-15	49	-18	57
SSF71/4S-3	1380	4.77	4.66	4.55	4.44	4.32	4.19	4.06	3.78	3.45	3.06	2.61	2.18		4.30	15.5	1.5	TC35		69	-13	54	-17	70	-19	81
SSF80/6S-3	620	3.85	3.69	3.51	3.33	3.14	2.95	2.75							1.50	5.40	0.50	TC33		52	-11	30	-14	39	-17	45
SSF80/6D-3	820	4.72	4.61	4.49	4.36	4.21	4.06	3.90	3.59						3.40	12.3	1.1	TC35		67	-12	47	-15	61	-18	70

Sound levels are average spherical free field values (for comparative use only). Value at 50% peak pressure.

42 Performance & Electrical Data

Products detailed within this data sheet represent the stocked range of Elta Skyflow fans. Many more options, selections and sizes are available on a made to order basis.

BACKDRAUGHT SHUTTERS



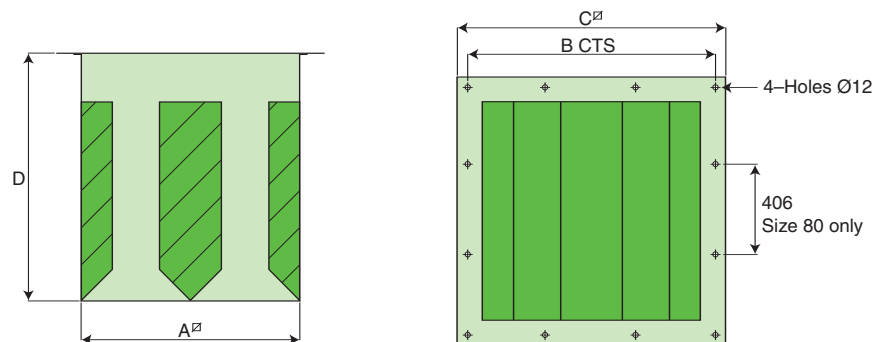
Model	A	Weight kg.
039-SFSV-25	290	0.25
039-SFSV-31/35	382	0.28
039-SFSV-40/45	482	0.52
039-SFSV-50/56	598	0.70
039-SFSV-63/71	744	1.03
039-SFSV-80	844	1.62

Prevents backdraught and reduces heat loss from building. Can be supplied factory fitted.

Material & finish
A.B.S. in white.

Note: For product codes please refer to price list

DROP IN SILENCERS



Model		A	B	C	D*	Air Ways	Weight kg.
SSF25	068-SFDS-0600-E	320	380	440	600	2	10
	068-SFDS-0900-E				900		14
	068-SFDS-1200-E				1200		19
SSF31/35	068-SFDS-0600-A	440	500	600	600	2	15
	068-SFDS-0900-A				900		20
	068-SFDS-1200-A				1200		25
SSF40/45	068-SFDS-0600-B	530	600	650	600	2	17
	068-SFDS-0900-B				900		24
	068-SFDS-1200-B				1200		32
SSF50/56	068-SFDS-0600-C	670	745	800	600	2	23
	068-SFDS-0900-C				900		34
	068-SFDS-1200-C				1200		43
SSF63/71	068-SFDS-0600-D	810	870	940	600	3	27
	068-SFDS-0900-D				900		41
	068-SFDS-1200-D				1200		50
SSF80	068-SFDS-0600-F	830	990	1080	600	3	34
	068-SFDS-0900-F				900		50
	068-SFDS-1200-F				1200		65

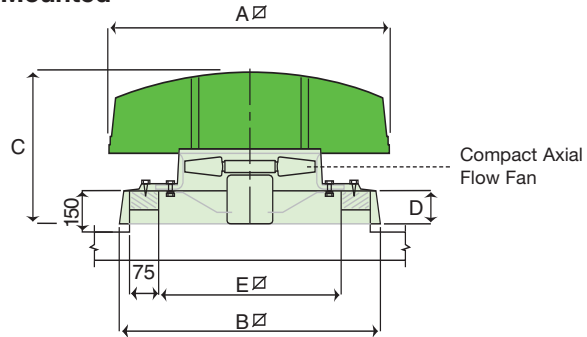
Drop-in-Silencers are available in three lengths. Should be fitted on initial installation.

Material & finish

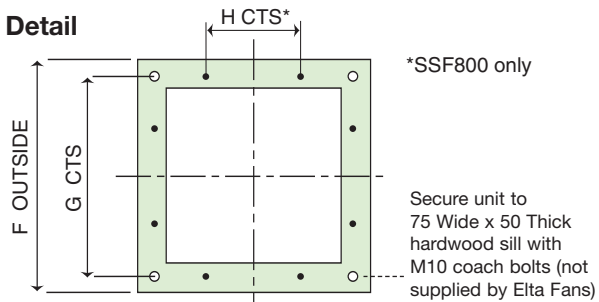
Pre-galvanised steel sheet casing and splitters which incorporate sound absorbent high density mineral wool in-fill with glass tissue facing.

* 'D' Dimension available in choice of three lengths.

Curb Mounted



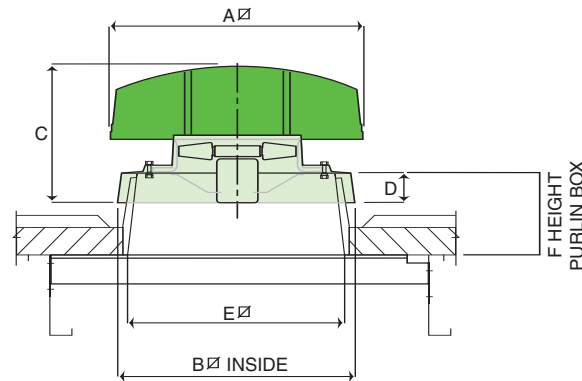
Curb Detail



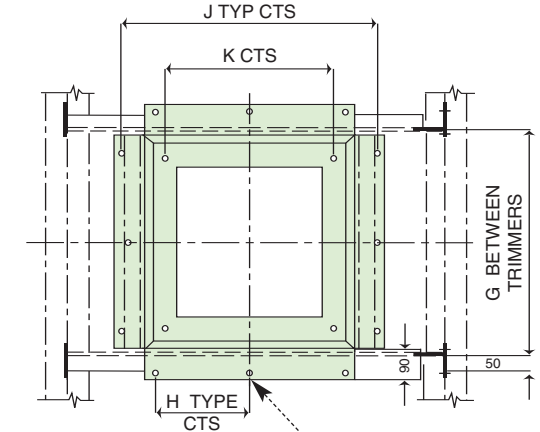
Model	A	B	C	D	E	F	G	H	Wt. kg.†
SSF25	500	500	310	80	340	440	380	-	12
SSF31	710	684	325	85	460	610	500	-	15
SSF35	710	684	325	85	460	610	500	-	16
SSF40	800	784	445	90	550	700	600	-	24
SSF45	800	784	445	90	550	700	600	-	25
SSF50	960	934	510	100	700	850	745	-	36
SSF56	960	934	510	100	700	850	745	-	40
SSF63	1230	1054	590	105	830	980	870	-	53
SSF71	1230	1054	590	105	830	980	870	-	53
SSF80	1400	1174	670	100	950	1110	990	406	64

† Weight of unit includes fan unit and shutter valve.

Purlin Mounted



Purlin Detail



Purlin box secured to trimmers with M10 lindapters, (not supplied by Elta Fans)

Model	A	B	C	D	E	F	G	H	J	K	Wt. kg.†
SSF25	500	500	310	80	428	240	428	175	542	380	12
SSF31	710	684	325	85	610	240	636	250	750	500	15
SSF35	710	684	325	85	610	240	636	250	750	500	16
SSF40	800	784	445	90	730	250	756	300	870	600	24
SSF45	800	784	445	90	730	250	756	300	870	600	25
SSF50	960	934	510	100	860	250	886	350	1000	745	36
SSF56	960	934	510	100	860	250	886	350	1000	745	40
SSF63	1230	1054	590	105	1000	250	1026	435	1140	870	53
SSF71	1230	1054	590	105	1000	250	1026	435	1140	870	53
SSF80	1400	1174	670	100	1076	270	1076	470	1190	990*	64

† Weight of unit includes fan unit and shutter valve but not purlin box.

* Refer to Curb detail for hole centres.