



SMF AXIAL ROOF RANGE

The ELTA SMF "Miniflow" range of roof extract units has been designed for applications where air is extracted from small to medium size rooms, such as domestic bathrooms to offices, boardrooms and changing rooms.

There are four standard sizes of cowl to accommodate two fan diameters, SMF210mm and SMF350mm.

SMF units utilise two, four and six pole motors providing eleven variants for the two fan diameters, depending upon specific requirements.

SMF Cowls are moulded from U.V. stabilised plastic, with steel components including the fan, fan housing and brackets in a corrosion resistant finish to suit arduous applications, whilst ensuring longevity and trouble free operation.



Technical Specification

- **1 year guarantee.**
- Duty range 90 l/sec (324m³/h) up to 310 l/sec (1116m³/h).
- SMF cowls are manufactured from UV-stabilised plastic, providing durability and strength.
- All steel components such as the fan, fan housing and brackets on SMF units have a corrosion resistant finish.
- SMF units are powered by an external rotor, squirrel cage induction motor.
- Motors have sealed for life, self lubricating bearings which do not require ventilation. They are sealed in a housing, ensuring quiet operation of the fan.
- Maximum ambient operating temperature 50°C.
- Model SMF132 is impedance protected.
- All other models SMF202-SMF306 have in built thermal overload protection.
- SMF units are speed controllable using the EL31 electronic controller.
- Each SMF unit can be mounted on roof slopes up to 30°.
- All models tested in accordance with ISO 5801 :1997 (airside performance) and BS 848: Pt2 :1985 (sound performance).

Optional Features

1. **SKCBD-B** - Backdraught shutter.



Backdraught shutters are available only for models SMF252/4 and SMF302/4.

NB: The duty should be reduced by 20% on these models when using the shutter.

2. Speed controllers **EL31**.



Quality electronic type speed controller **EL31** are available for either panel or wall mounting. Each unit includes a speed control knob and separate on/off switch.

When speed control is required, Elta can only guarantee the fan unit, when operated via an Elta supplied controller.

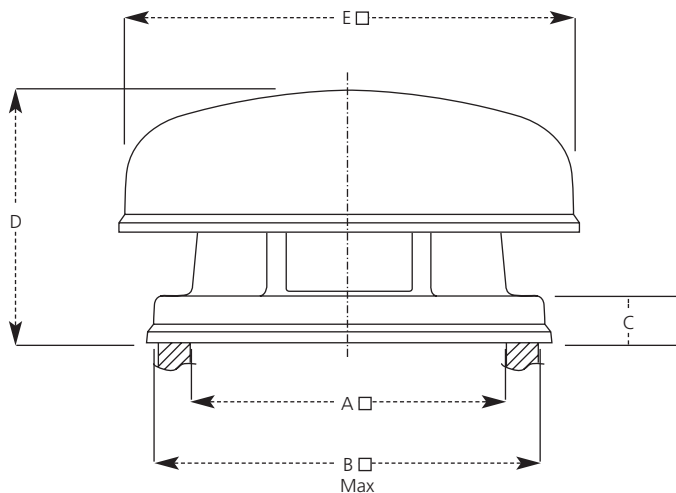
Technical Information

| Model | Diameter | Volts | Watts | R.P.M | l/sec | dB@3m |
|---------|----------|-------|-------|-------|-------|-------|
| SMF132E | 210 | 240 | 40 | 2760 | 90 | 43 |
| SMF202E | 350 | 240 | 70 | 2580 | 220 | 50 |
| SMF204E | 350 | 240 | 30 | 1440 | 110 | 38 |
| SMF252E | 350 | 240 | 118 | 2520 | 400 | 52 |
| SMF254E | 350 | 240 | 58 | 1380 | 230 | 42 |
| SMF302E | 350 | 240 | 160 | 2460 | 630 | 55 |
| SMF304E | 350 | 240 | 50 | 1320 | 420 | 44 |
| SMF306E | 350 | 240 | 45 | 960 | 310 | 39 |

Noise Data

In-duct Sound Power Octave Band Levels

| Model | dBW | | | | | | |
|---------|-----|-----|-----|-----|----|----|----|
| | 63 | 125 | 250 | 500 | 1k | 2k | 4k |
| SMF132E | 51 | 51 | 59 | 55 | 57 | 58 | 56 |
| SMF202E | 67 | 69 | 73 | 71 | 66 | 65 | 59 |
| SMF204E | 53 | 65 | 59 | 57 | 52 | 47 | 39 |
| SMF252E | 66 | 72 | 73 | 69 | 65 | 63 | 58 |
| SMF254E | 62 | 67 | 67 | 60 | 56 | 52 | 45 |
| SMF302E | 67 | 74 | 74 | 75 | 70 | 67 | 64 |
| SMF304E | 66 | 67 | 67 | 63 | 58 | 54 | 49 |
| SMF306E | 58 | 64 | 64 | 54 | 47 | 53 | 39 |

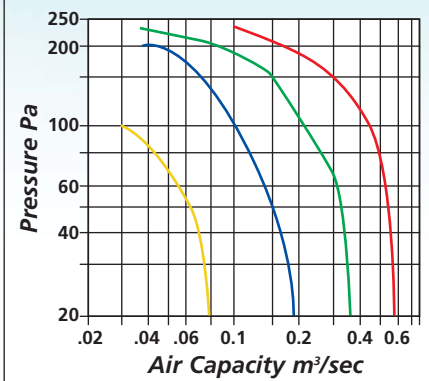


Dimensions

| Model | A | B | C | D | E |
|---------|-----|-----|----|-----|-----|
| SMF132E | 210 | 260 | 30 | 200 | 310 |
| SMF202E | 350 | 410 | 60 | 350 | 570 |
| SMF204E | 350 | 410 | 60 | 350 | 570 |
| SMF252E | 350 | 410 | 60 | 350 | 570 |
| SMF254E | 350 | 410 | 60 | 350 | 570 |
| SMF302E | 350 | 410 | 60 | 350 | 570 |
| SMF304E | 350 | 410 | 60 | 350 | 570 |
| SMF306E | 350 | 410 | 60 | 350 | 570 |

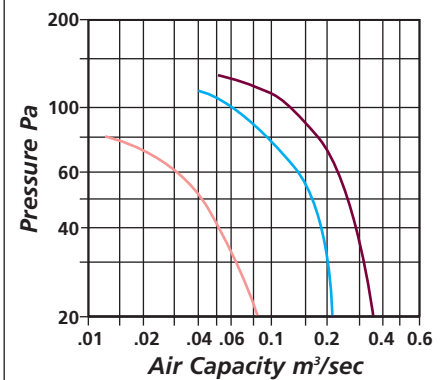
Performance Data

2 Pole



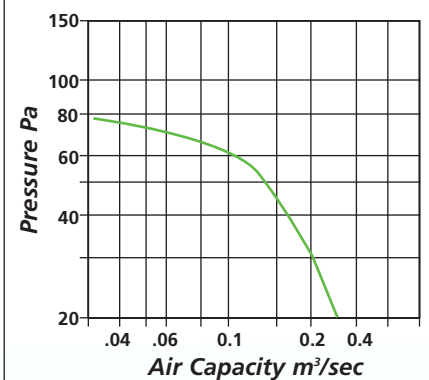
SMF302E SMF252E SMF202E
SMF132E

4 Pole



SMF304E SMF254E SMF204E

6 Pole



SMF306E

