

## WPT

### Introduction

The Waterloo WPT grille is a sidewall grille made with an aluminium frame and a steel perforated plate. The perforations on the plate are angled to supply air in a fixed direction.

The standard "plenum box" wall mounting that comes with a supply grille, is angled in order that the air stream is trained vertically down the wall and along the floor. This floods the floor with fresh cool air. As the air heats up it rises and is extracted from the top of the room (This system is sometimes referred to as "displacement ventilation").

When used for extract the grille should be mounted high in the room and flush with the wall.

This grille provides a good air distribution with low velocities and low sound levels. With minimal air mixing.

### Product Description

- WPT-T** Supply Grill (including plenum)
- WPT-R** Extract Grill (including AF-subframe)

### Features

- High levels of comfort due to low velocities
- No plenum assembly in the duct is necessary
- Low noise levels
- Minimal mixing of the air

### Finishes

- PPM9006 (RAL 9006 Matt Silver)
- PPM9010 (RAL 9010 20% Gloss White)
- PPG9010 (RAL 9010 Gloss White)
- Other colours available on request

### Weights

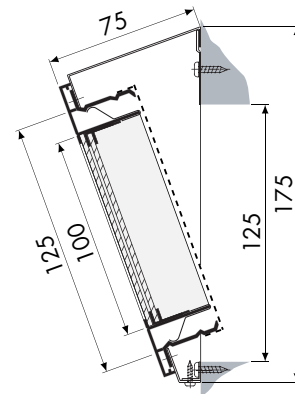
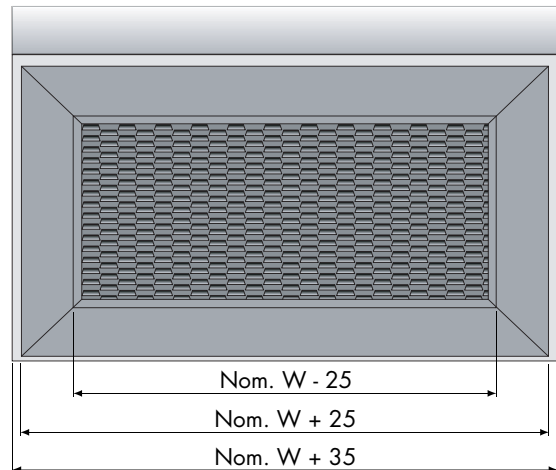
- WPT-T 15.0 kg/m<sup>2</sup> face area
- WPT-R 14.5 kg/m<sup>2</sup> face area

### Sizes

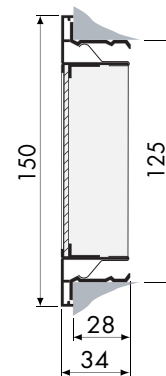
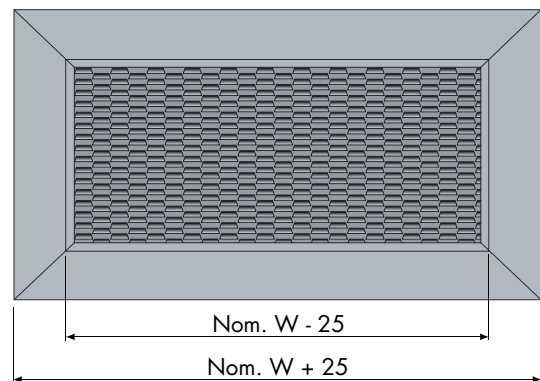
- Nom. W 225 to 925 mm in 100mm increments
- Nom. H = 125 mm

### Fixings

- WPT-T Fixing plate
- WPT-R AFCE (AF-subframe + clipfixing)



**WPT-T**



**WPT-R**

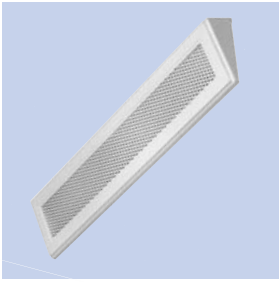
**Free Area**

35%

### Order Example

**WPT-T/425x125/PPM9010**

Type	_____
Supply/Exhaust	_____
Nominal Width	_____
Nominal Height	_____
Finish	_____



### Selection Criteria

NC LEVEL is sound pressure level /Noise Criteria Curve based on a room absorption of 8dB for sound power  $L_w$  ref  $10^{12}W$ .

### Selection Example WPT-T/425x125

Air Volume 21 l/s  
Throw on floor 2.6 m  
Pressure Drop 6 Pa  
Noise Level < NR 20

### Performance Table

WPT		Supply								
m <sup>3</sup> /h	l/s		225x125	325x125	425x125	525x125	625x125	725x125	825x125	925x125
50	14	I	3.0							
		P <sub>s</sub>	14							
		L <sub>p</sub>	-							
75	21	I	4.0	3.0	2.6	2.4	2.2	2.0	1.6	
		P <sub>s</sub>	26	12	6	4	3	3	2	
		L <sub>p</sub>	26	-	-	-	-	-	-	-
100	28	I		3.5	3.2	3.0	2.4	2.2	2.0	1.6
		P <sub>s</sub>		20	12	9	6	5	4	4
		L <sub>p</sub>		35	-	-	-	-	-	-
125	35	I			3.5	3.2	2.6	2.4	2.2	2.0
		P <sub>s</sub>			18	14	9	8	6	5
		L <sub>p</sub>			-	-	-	-	-	-
150	42	I			4.0	4.0	3.0	3.0	2.6	2.2
		P <sub>s</sub>			26	20	13	12	8	7
		L <sub>p</sub>			27	-	-	-	-	-
200	56	I					4.0	3.5	3.2	3.0
		P <sub>s</sub>					22	19	14	12
		L <sub>p</sub>					31	-	-	-
250	69	I						4.0	4.0	3.5
		P <sub>s</sub>						31	22	18
		L <sub>p</sub>						34	33	29
300	83	I								4.0
		P <sub>s</sub>								26
		L <sub>p</sub>								35

