

"No Sight" Louvres

YGT-EF YGT-RF

Introduction

The YGT "No Sight" louvres are designed for circumstances where external wall ventilation is required, yet there is still a need for security. Ideally suited for installation in transformer station buildings, The "Y" shape blade allows a path for air that blocks the line of site through the louver.

Manufactured from extruded aluminium the YGT is proven to be weatherproof even in the most adverse conditions.

Options include a choice of frames, fixing methods, finishes and screen types (a selection of bird and insect screens are available).

Product Description

YGT-EF Externally flanged louver

YGT-RF Recessed frame louver

Features

- Weatherproof design
- Improved security over a standard external louver

Finishes

PPM9006 (RAL 9006 Matt Silver)
 PPM9010 (RAL 9010 20% Gloss White)
 PPG9010 (RAL 9010 Gloss White)

Other colours or anodised finish available on request

Weights

YGT 20.0 kg/m² Panel

Sizes

Nom. W 200 - 1200 mm

Nom. H 115 - 1275 mm

Fixing

SF Screw fixing
 LF Rear lug fixing
 NF No fixing

Screen Options

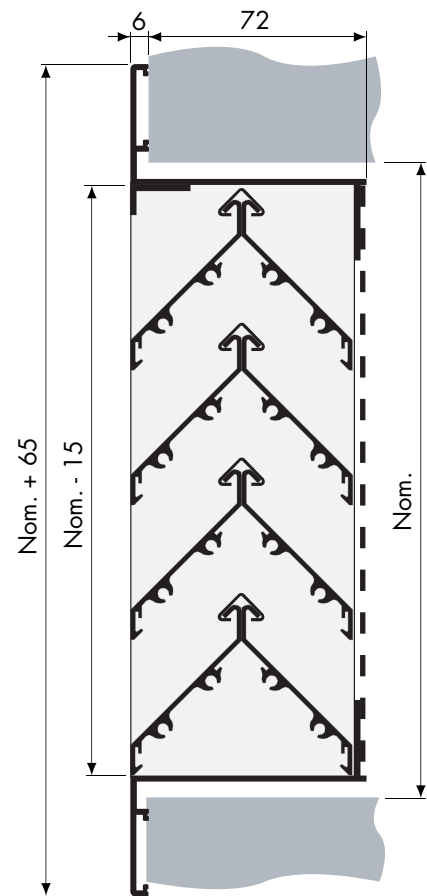
BS Galvanised steel bird screen
 IS Aluminium insect screen
 Other options available on request

Please contact head office to select an order

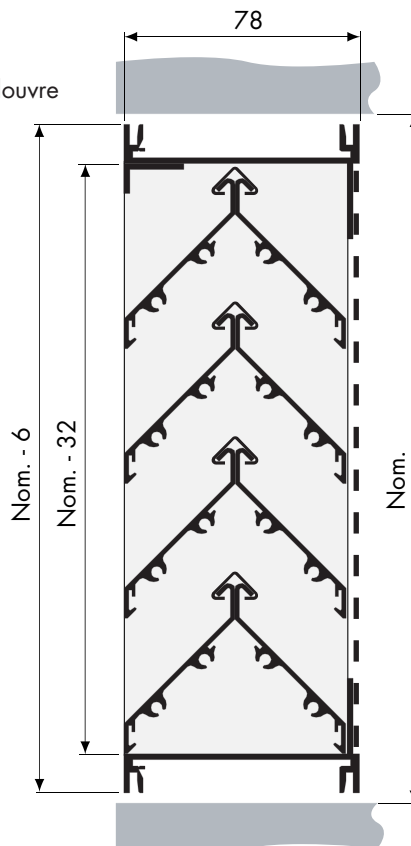
Order Example

YGT-EF/800x500/PPM9006/LF/BS

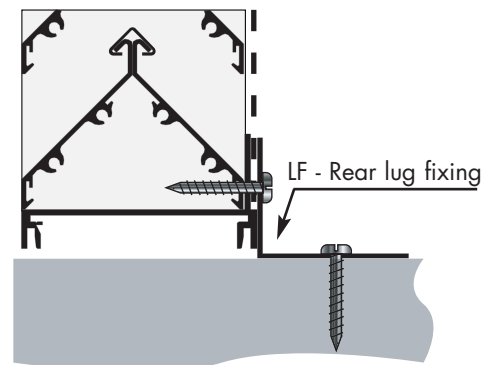
Louvre Type _____
 Nominal Width _____
 Nominal Height _____
 Finish _____
 Fixing _____
 Screen Option _____



YGT-EF



YGT-RF



Free Area

YGT

17% - 45%