

### Introduction

The Waterloo WDJ Drum Jet diffuser is a high capacity unit specifically designed for warehouses, sports halls or factory units etc where a long throw is required. The WDJ is fully adjustable to provide a full jet spread and directional control.

The unit is constructed from aluminium extrusions and comes complete with brush strips to provide a low friction, airtight seal. Standard installation is screw fixing through the face flange.

### Product Description

WDJ Drum Jet Diffuser  
OBSS Opposed blade damper

### Features

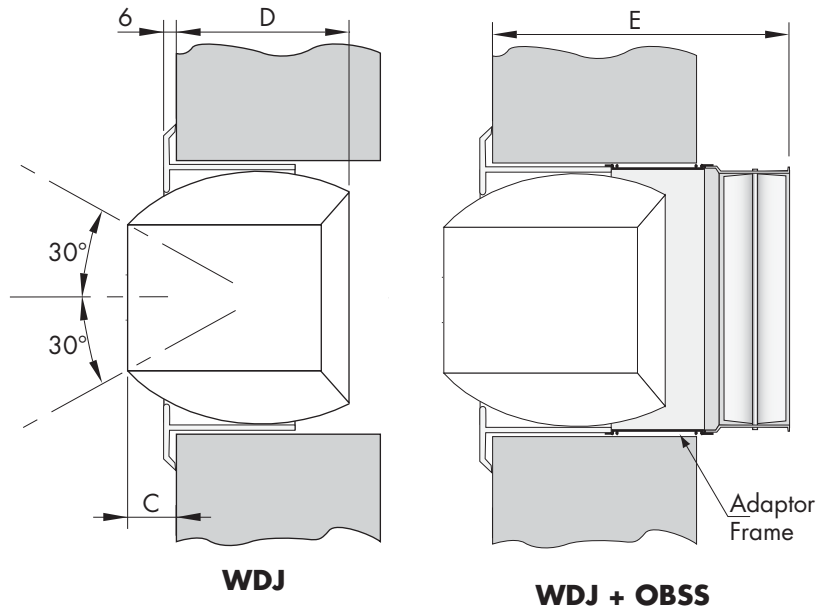
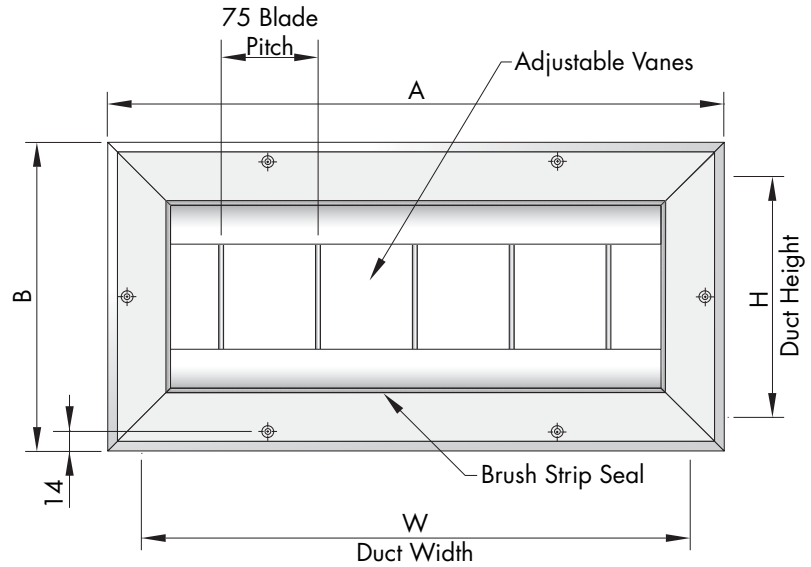
- Fully adjustable drum
- Fully adjustable air pattern
- Suitable for sidewall or exposed duct applications

### Finishes

RAL 9010 White  
Satin Anodised Aluminium

### Advantages

- Long throws
- Low resistant friction on drum
- Ease of adjustment

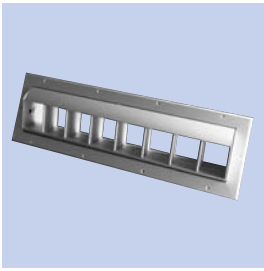


### Order Example

**WDJ-1806/OBSS**

Type \_\_\_\_\_  
Number \_\_\_\_\_  
Damper \_\_\_\_\_

No	A	B	W	H	C	D	E	Weight
<b>906</b>	300	217	261	170	36	87	146	1.5kg
<b>1206</b>	376	217	337	170	36	87	146	1.7kg
<b>1806</b>	529	217	490	170	36	87	146	2.0kg
<b>2406</b>	681	217	642	170	36	87	146	2.5kg
<b>2010</b>	579	319	540	271	63	138	207	5.5kg
<b>2510</b>	706	319	667	271	63	138	207	6.5kg
<b>3010</b>	833	319	794	271	63	138	207	7.0kg
<b>3510</b>	960	319	921	271	63	138	207	7.5kg



### Selection Criteria

Temperature differential - 0°C (Isothermal)  
Terminal velocity - 0.25m/s  
NR level with a room absorption factor of 8dB.

### Selection Example WDJ-2406

Air flow rate 400 l/s  
Throw 17.0 m  
Pressure drop 45Pa  
Noise level NR26

### Throw Correction Factor

Vane Angle	0°	5°	10°	20°	30°	40°	60°
Factor	1.0	0.9	0.82	0.68	0.6	0.52	0.4

### Performance Table

WDJ	Air Volume								
	m <sup>3</sup> /h	360	720	1080	1440	2160	2880	3600	4320
	l/s	100	200	300	400	600	800	1000	1200
906	Jet Throw	3.5	16						
	Pa	20	75						
	NC	13	26						
1206	Jet Throw	2	9.5	22					
	Pa	12	45	100					
	NC		22	32					
1806	Jet Throw		5	15	26				
	Pa		24	48	77				
	NC		16	25	31				
2406	Jet Throw		3.5	9	17	36			
	Pa		10	25	45	98			
	NC		10	18	26	34			
2010	Jet Throw		1.8	4	8	18	34		
	Pa			12	22	50	80		
	NC			14	20	28	35		
2510	Jet Throw			3	5	14	25	37	50
	Pa			10	12	26	50	75	105
	NC			11	15	24	30	35	38
3010	Jet Throw			2.2	4	10	18	28	40
	Pa				10	18	40	50	75
	NC				10	20	27	32	30
3510	Jet Throw				3.2	7.5	15	22	30
	Pa					14	25	40	55
	NC					18	25	30	33