

Introduction

The Waterloo supply air nozzles series VS3 are used for supplying air into areas requiring long jet throws and low noise levels. By arranging individual nozzles in a bank, corresponding throw distances are considerably increased.

Product Description

VS3 Supply air nozzle

- P** Plain connection
- D** Connection to square duct
- R** Connection to circular duct
- M** Regulating damper (125, 160 & 220 \varnothing only)
- B1** Belimo LM24 motor
- B2** Belimo LM230 motor
- B3** Belimo LM24-SR motor

Features

- Large range
- 3 duct connection types
- Extended throws when arranged in banks
- Low noise levels
- Motorised version available

Finishes

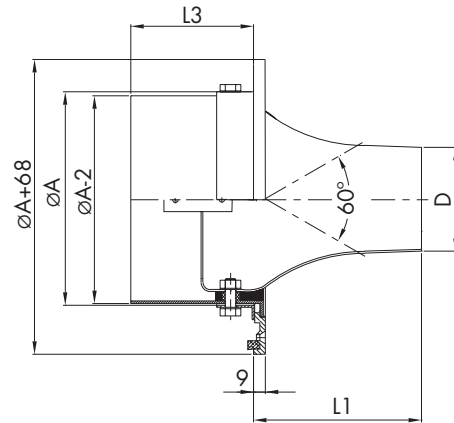
Natural aluminium as standard
Other colours available on request

Advantages

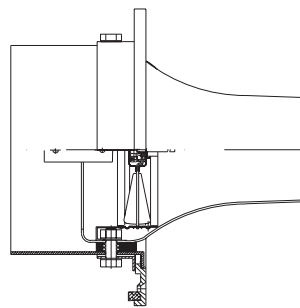
- High air handling capacity
- Easy to install
- Remote seasonal adjustment on motorised versions
- Easy to clean aesthetic appearance

Circular Duct Size Availabilities

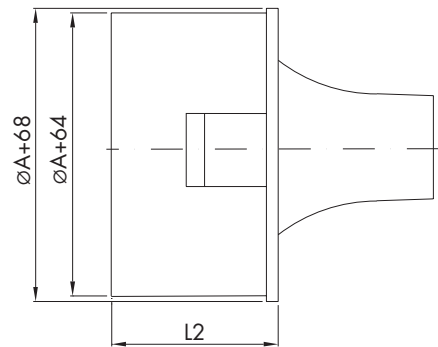
Dim.	R315	R500	R630	R800
80	•	•	•	•
100		•	•	•
125		•	•	•
160		•	•	•
220			•	•



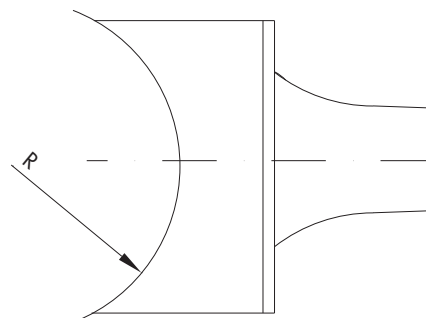
VS3/P



VS3/M/P
(with regulating damper)



VS3/D (without motor)
VS3/D/B* (with motor)



VS3/R (without motor)
VS3/R/B* (with motor)

Order Example

VS3/M/D/B2/125

Type _____
Regulating Damper _____
Duct Connection Type _____
Motor Type (if required) _____
Nominal Size _____

Dim.	D	L1	L2	L3	A
80	80	125	107	102	160
100	100	155	120	115	200
125	125	225	120	115	250
160	160	315	150	145	315
220	220	375	150	145	400



Selection Example VS3/125

Air Volume 200 l/s
Throw 30.0 m
Terminal Velocity 0.48m/s
Pressure Drop 140 Pa
Noise Level NC 33

Correction Factor for Multiple Units

N° of Units	1	2	3	4
NR Level Addition	0	+3	+5	+6
Throw Factor	1.0	1.4	1.9	2.0

Performance Graphs

